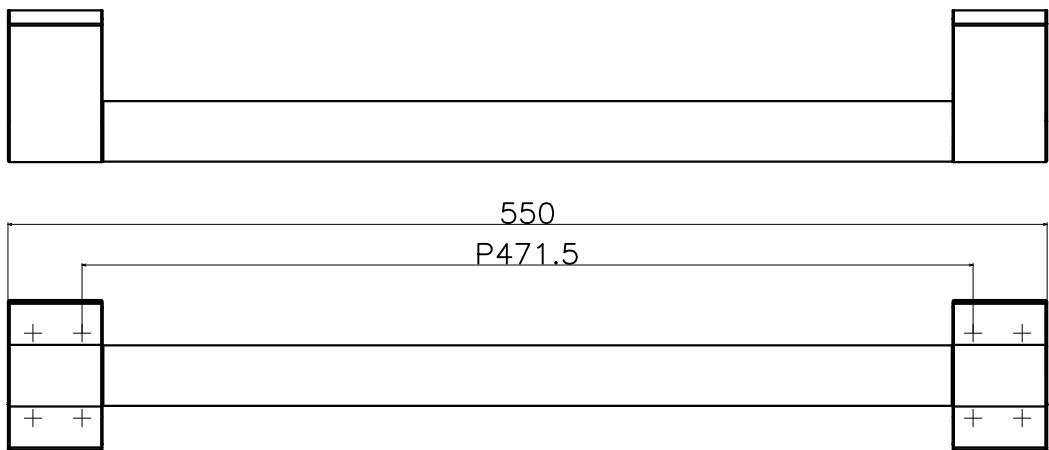
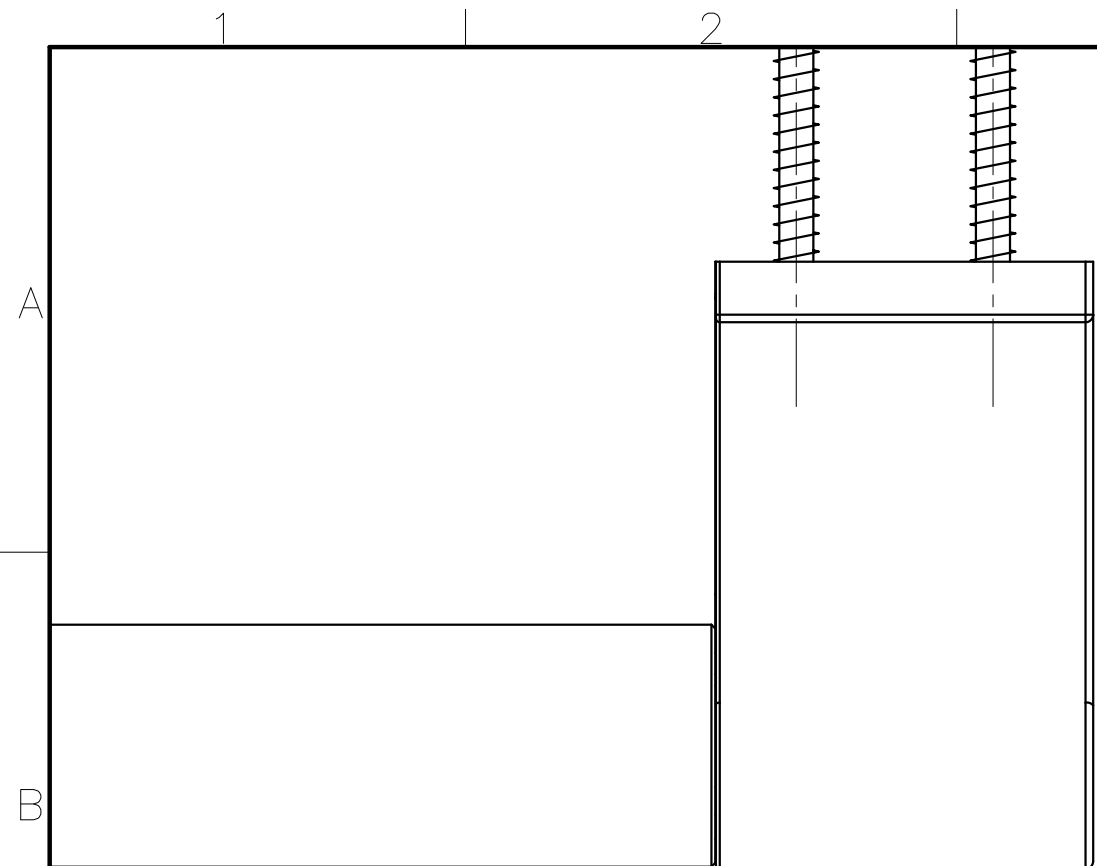


Ver	Date	Engineering change notice	Dwg	App
1	0000/00/00	新規出図	KAWAJUN	KAWAJUN

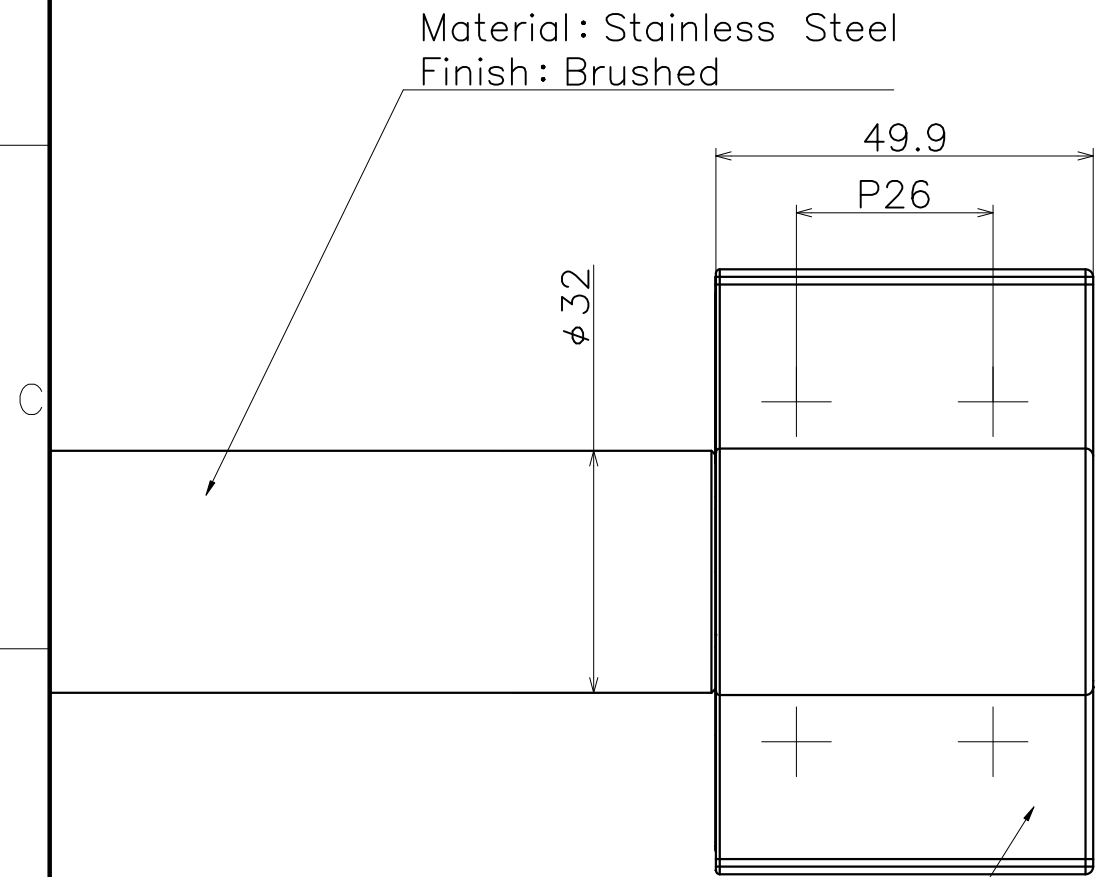


KH75

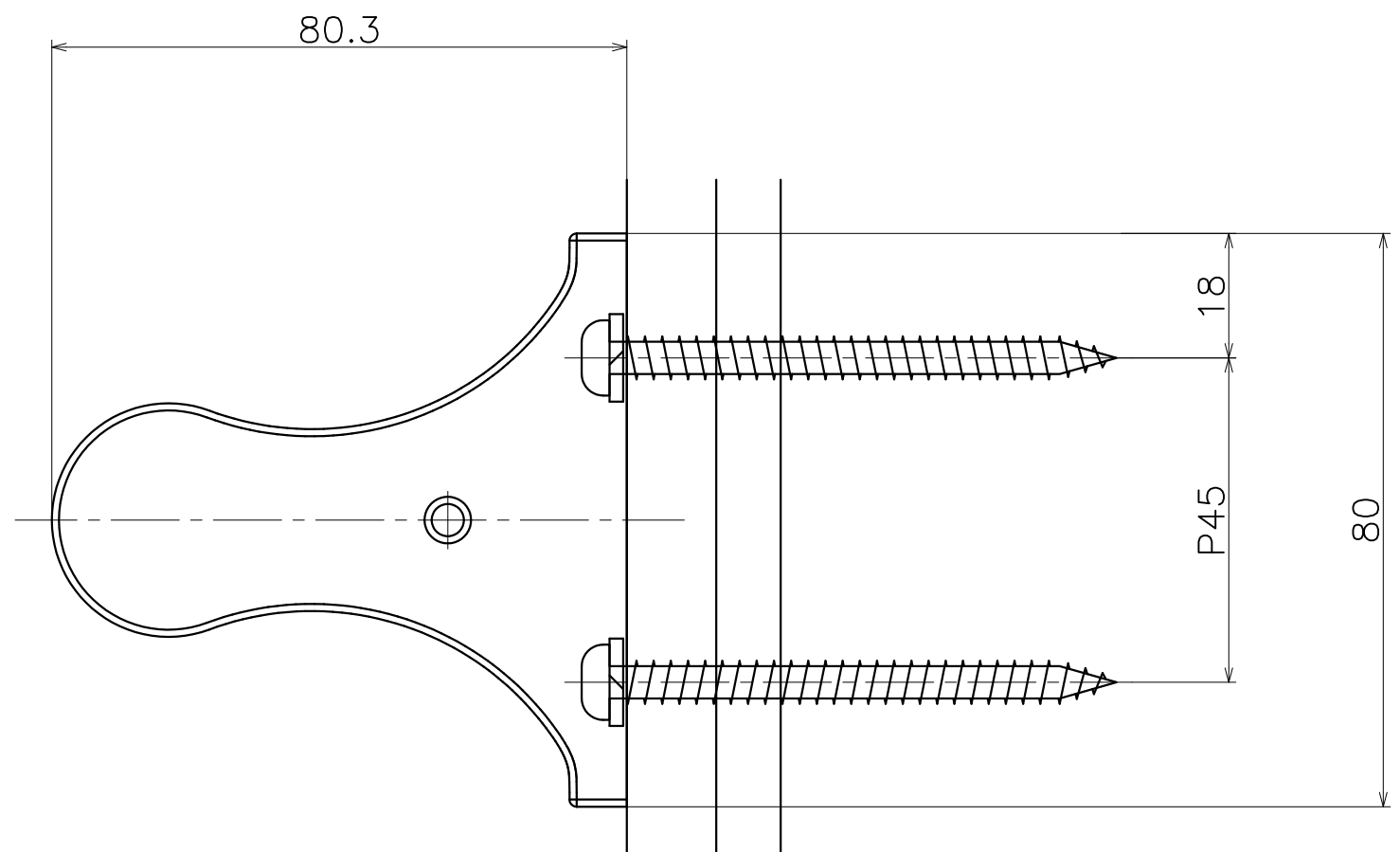
(S=1:4)

Finish	Code
Brushed & Chrome	KH75TC

Material: Stainless Steel
Finish: Brushed



Cover Material: Zinc Die-cast
Cover Finish: Chrome
Leg Material: Stainless Steel
Leg Finish: Mirror



Product name	Name	Code
手摺	-	表参照
Grab Bar	-	Ver01
KAWAJUN 河渾株式会社	Dim	Geo
	s= 1:1	外形図