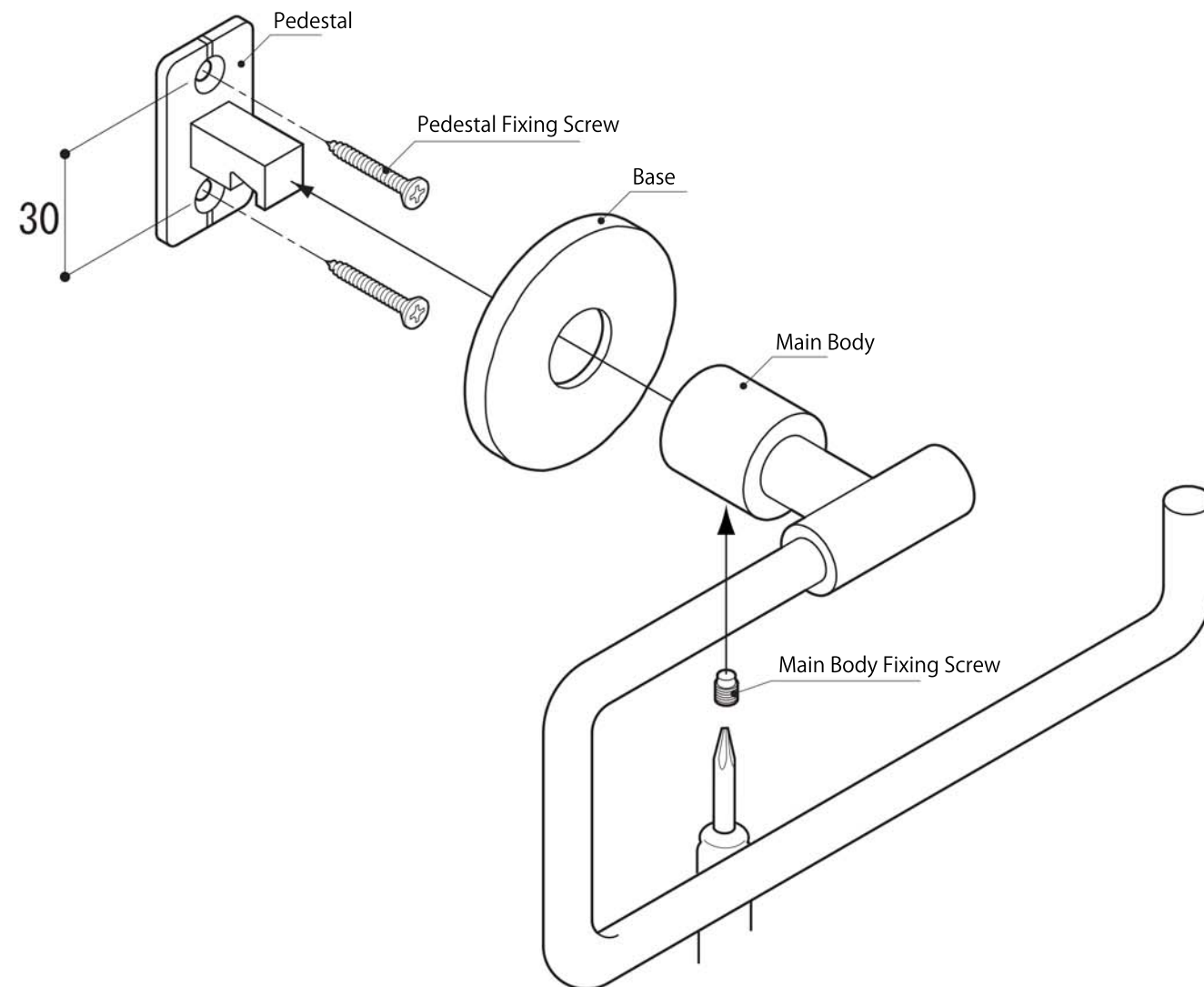


Towel Ring Installation Instruction Sheet

SA-480

* Please be sure to read before installing product.

* Do not dispose the installation sheet after installation, instead please pass it to the product user.



⊙ Installation Procedure

1. Install Pedestal to wall using the provided Pedestal Fixing Screws.
2. Fix Base and Main Body onto Pedestal and secure with Main Body Fixing Screw.

⚠ Caution: About installation

- * If product is to be installed on boards, please ensure it is at least 9mm thick.
- ** Do not install product onto non-reinforced walls.
- * Do not install product on ALC or in spaces between concrete blocks.
- * After installation, please check to ensure product has been installed properly. If product has not been installed properly, it may wobble and drop off.
- * Do not install product where rain may get to it, or in areas with very high temperature. It may damage the product and cause it to drop off.

⚠ Caution: About product usage

- * The load capacity for this product is 5kgf. Do not load heavier than the stated load capacity. Product failure may result in injury.
- * Do not use product for unintended purpose or application. Product failure may result in injury.
- * Do not use gasoline (Benzene), thinner, alcohol, acidic/alkaline based detergent and/or cleanser to clean the product.