

## Towel Rail Installation Instruction Sheet

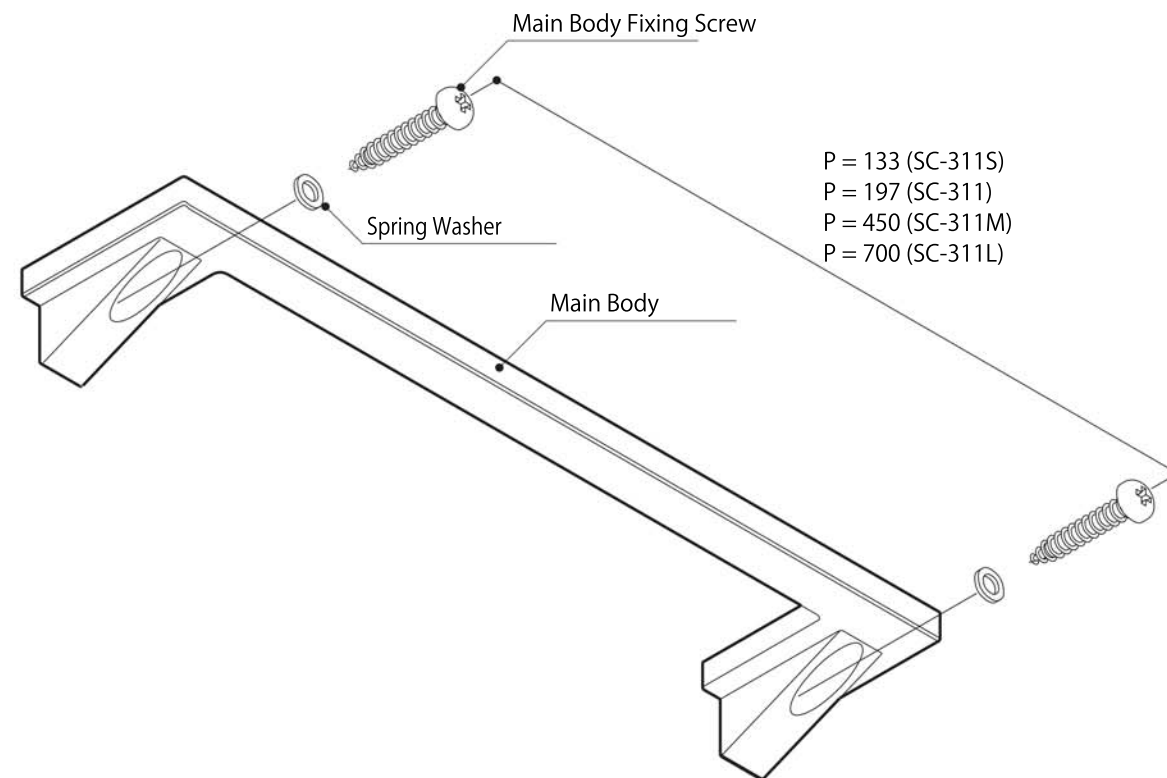
# SC-311S / 311 / 311M / 311L

\* Please be sure to read before installing product.

\* Do not dispose the installation sheet after installation, instead please pass it to the product user.

\* SC-311 and SC-311S comes as one (1) piece.

\* SC-311M and SC-311L requires assembly of rail.



### ⦿ Installation Procedure

1. Install Main Body to wall using the provided Spring Washers and Main Body Fixing Screws.

### ⚠ Caution: About installation

- \* If product is to be installed on boards, please ensure it is at least 9mm thick.
- \*\* Do not install on non-reinforced walls.
- \* Do not install product on ALC or in spaces between concrete blocks.
- \* After installation, please check to ensure product has been installed properly. If product has not been installed properly, it may wobble and drop off.
- \* Avoid direct contact with water. Do not install product in areas with very high temperature. It may damage the product and cause it to drop off.

### ⚠ Caution: About product usage

- \* The load capacity for this product is 10kgf. Do not load heavier than the stated load capacity. Product failure may result in injury.
- \* Do not use product for unintended purpose or application. Product failure may result in injury.
- \* Do not use gasoline (Benzene), thinner, alcohol, acidic/alkalin based detergent and/or cleanser to clean the product.