

GP-N001 (Floor Number)

Safety Warning

- * Please be sure to read "Safety Warning" before installation to ensure product will be installed properly.
 - * Customers who have purchased this product from the online shop should read the attached "Disclaimers and Warranties" and "Precautions" before installation.
 - * Do not dispose the installation sheet after installation, instead please pass it to the product user.
 - * Pass all tools that have been provided to product user.
- The following displays shows the levels of harm or damage if product is not installed properly.

Warning This display warns the possibility of death or serious injury.	Caution This display warns the possibility of injury or possibility of physical damage.
---	--

■ The following symbols shows the precautions that needs to be observed.

This symbol is used to identify prohibited actions that must not be carried out.	This symbol is used to identify mandatory actions that must be carried out.
--	---

Warning About installation

- ! Please do not install product onto non-reinforced walls. Product may fall off and result in injury.
- ! After installation, please check to ensure product has been installed properly. If product has not been installed properly, it may wobble and drop off, resulting in injuries.
- ! Do not install in areas that are exposed to rain.
- ⊘ This product is for indoor usage only. Do not install product outdoor.

Warning About product usage

- ! Do not use product for unintended purpose or application. Product failure may result in injury.
- ⊘ Do not load heavier than the stated load capacity. Product failure may result in injury.
- ⊘ Do not apply excessive force onto product. Product failure may occur and lead to injury.

Caution About product maintenance

- ⊘ Wipe away any stain of cosmetic or chemical product when found. Leaving stains on product may lead to discolouration, corrosion and/or deterioration and result in breakage and injury.
- ! Installing product near shorelines, hot springs, or areas that are frequently exposed to corrosive moisture in nature will cause product to rust. Wipe with a soft, damp cloth. When necessary, wipe a damp cloth with mild detergent and finish with a soft, dry cloth. Do not use gasoline (Benzene), thinner, alcohol, or acidic/alkaline based detergent and/or cleanser to clean the product.
- ! Dry product with a soft, dry cloth if there is moisture on it. Leaving product wet may cause discolouration and other damage to it.

Warranty and Disclaimer

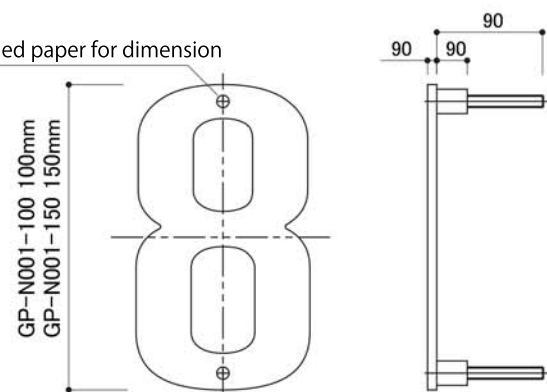
Warranty is 1 year from the date of purchase. During this time, if there is any problem with this product, please contact KAWAJUN for assistance. Please note that warranty will be voided if:

1. Product was installed outdoor.
2. Product was not installed according to installation procedure.
3. Product was not used according to the guidelines.
4. Discolouration due to friction, long period of usage, etc.
5. Damage caused by corrosion due to installation near shorelines, hot springs, etc.
6. Damage caused by bugs, animals, etc.

Product Specification

Type	Floor Number
Product Code	GP-N001
Material	Stainless Steel
Product Dimension:	
GP-N001-100	100 x t3mm
GP-N001-150	150 x t3mm

Refer to attached paper for dimension



Package Contents



Floor Number x 1



Spacer x 2



Installation Sheet x 1

Installation Procedure

Installation Procedure

1. Drill 2 pilot holes into wall according to the dimensions stated in the attached paper, $\varnothing 4.5\sim 5$ mm wide and at least 25mm deep.
2. Insert adhesive into holes.
3. Insert Spacers onto Legs and insert Legs into pilot holes.
4. Check product after installation to ensure it is not loose.

