

Grab Bar Installation Instruction Sheet

KH-28

* Please be sure to read before installing product.

* Do not dispose installation sheet after installation, instead, please pass it to product user.

◎ Installation Procedure

1. Install Bracket of one Handle to wall using the provided Spring Washers and Installation Screws.
2. Insert Joint to the end of Handle.
3. Insert the other Handle into Joint.
4. Install Bracket of vertical Handle to wall using the provided Spring Washers and Installation Screws.
5. Clasp the claws of Cap onto Bracket until a click is heard.

⚠ Caution: About installation

* If installing on plaster boards, please ensure it is at least 12mm thick.
** Do not install product on non-reinforced walls.

* After installation, please check to ensure product has been securely installed. If product has not been securely installed, it may wobble and drop off.

* This product is for indoor usage only. As it is not waterproof, please do not install it outdoor or in places that has a high humidity level. It may lead to corrosion and result in parts falling out and causing injury.

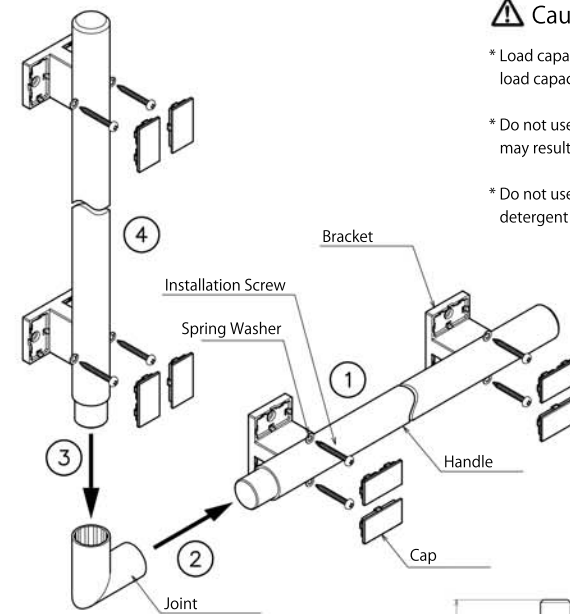
* Do not install product on ALC or in spaces between concrete blocks.

⚠ Caution: About product usage

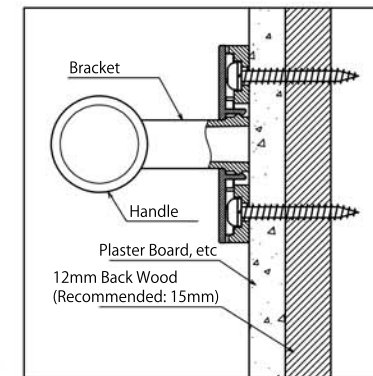
* Load capacity for this product is 60kgf. Do not load heavier than the stated load capacity. Product failure may result in injury.

* Do not use product for unintended purpose or application. Product failure may result in injury.

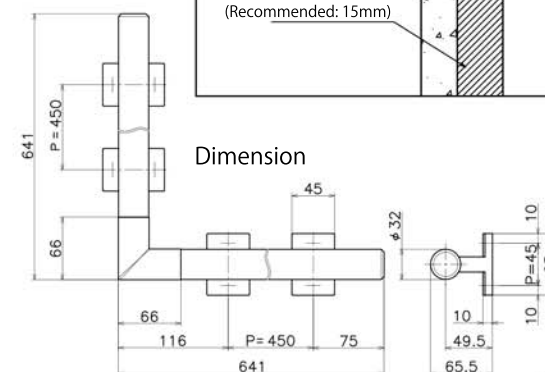
* Do not use gasoline (Benzene) thinner, alcohol, or acidic/alkaline based detergent and/or cleanser to clean the product.



Cross Section



Dimension



KAWAJUN
www.kawajun.co.jp

NO. 002