

- Surface mounted door hinge.
- Hinge is made of stainless steel for durability and corrosion resistance.

Product Specifications

Material : SUS304, 201

Finish : Brushed, Dark Umber, Black

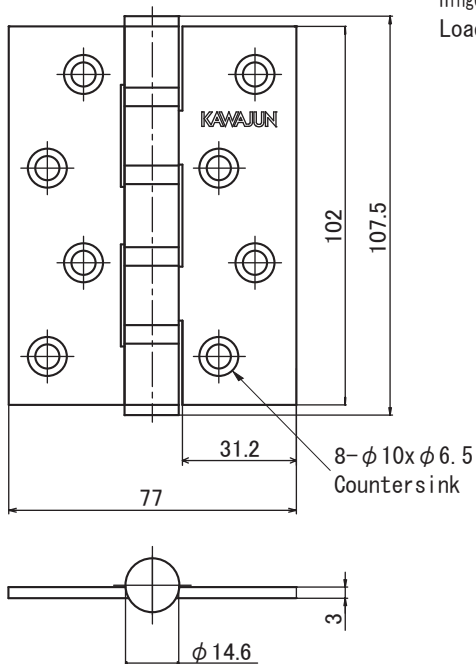
Mounting screws : 4.5X30 Flat head wood screws

Hinge shaft diameter : $\phi 14\text{mm}$

Load capacity : 30Kg (per hinge)

Product Features

- Do not make a recess on the mounting surface as this is a surface mounted hinge.
- Hinge can be used in both directions.
- This hinge is used for interior doors only.



⚠ Precautions for Usage

- For indoor use only. Do not use for outdoor or entrance/exit doors.
- Do not use for doors that are heavier than the stated load-bearing value. Doing so may result in deformation and/or damage to the door or hinge.
- Stainless steel is rust resistant. However, it is still susceptible to rusting when exposed to salt, chlorine, iron, and etc.
- For cleaning, wipe with a soft dry cloth only. If necessary, wipe it with a damp cloth with neutral detergent diluted with water then wipe clean with a soft dry cloth. (Do not use acidic or chlorinated detergents.)
- If there is a creaking noise when opening/closing the door, apply commercial grease to the shaft.