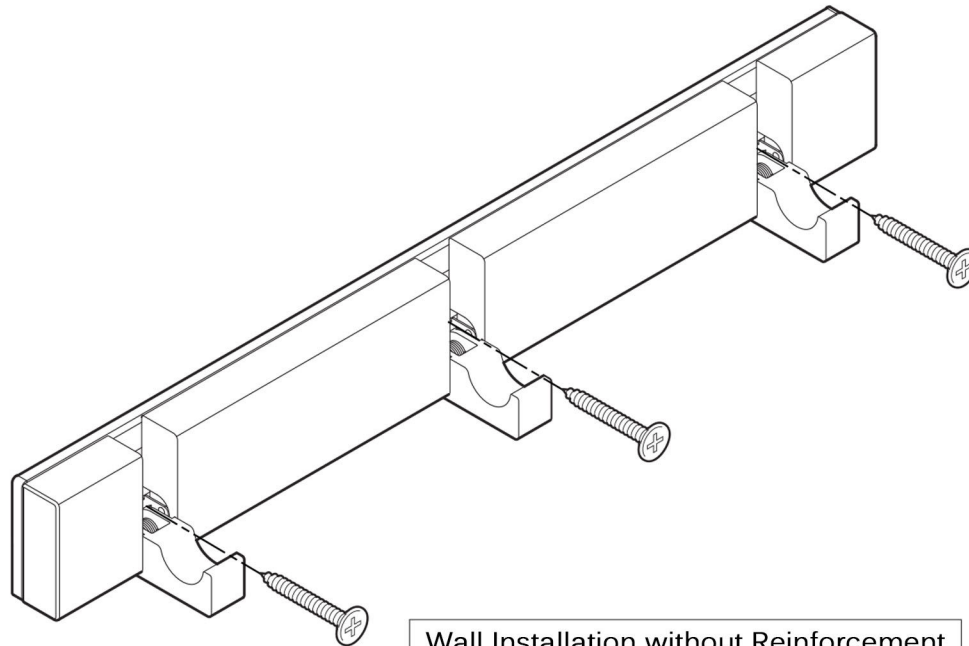


Blind Hook Installation Instruction Manual

AC770

※Please read the installation sheet before product installation and also please do not discard instruction sheet after installation. Instead, please pass it to the end user for future reference sake.



◎ Installation Sequence

- ① Decide on the installation location with all the hooks pushed down as shown in the image.
- ② With the screws provided (Machine screws), secure the aluminium backing plate onto the wall.
※ Adjust and ensure that the product is level before securing all 3 screws in place.
- ③ Return the hook to its proper position.

⚠ Product Installation

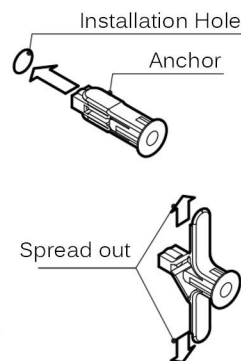
- For installation on plaster board, please have at least a minimum 9mm thick reinforcement board for additional support.
- Please do not install product directly onto hollow spaces of concrete blocks or ALC material.
- After installation, please check product once more to make sure product has been firmly secured. If product is not firmly installed, product might wobble or there might be a risk of product dropping off, resulting in injuries.
- Please avoid installation of product in outdoor places and or humid places that comes in contact with water constantly. Possible risk of product rusting, breakage and injury to product user might occur.

⚠ Product Usage

- Product load capacity is 5kgf per hook. (Which is 15kgf in total) Any load heavier than what is stated might cause damage to the product and injuries.
- Please do not use product for unintended purposes or application. Product failure may result in injuries.

Wall Installation without Reinforcement

- Drill installation holes into the wall surface (Φ9~10) for the anchor (AC-1028-B sold separately).
- Insert the anchor into the installation holes so that the anchor will be able to spread out as shown in the illustration.
- Complete installation based on the installation sequence instructions.
- ※ Please use plaster boards that are 9~12.5mm thick.



KAWAJUN
www.kawajun.co.jp

NO. 003