

## Hinge Installation Instruction Sheet

### AC-852 (Glass Hinge)

#### Safety Warning

- \* Please be sure to read "Safety Warning" before installation to ensure product will be installed properly.
- \* Customers who have purchased this product from the online shop should read the attached "Disclaimers and Warranties" and "Precautions" before installation.
- \* Do not dispose the installation sheet after installation, instead please pass it to the product user.
- \* Pass all tools that have been provided to product user.
- The following displays shows the levels of harm or damage if product is not installed properly.

**Warning** This display warns the possibility of death or serious injury.

**Caution** This display warns the possibility of injury or possibility of physical damage.

■ The following symbols shows the precautions that needs to be observed.

**No** This symbol is used to identify prohibited actions that must not be carried out.

**Exclamation Mark** This symbol is used to identify mandatory actions that must be carried out.

#### Warning About installation

- No** \* Do not install this product on glass doors that are thicker or wider than what is stated.
- Exclamation Mark** After installation, please check to ensure product has been installed properly. If product has not been installed properly, it may wobble and drop off, resulting in injuries.

#### Caution About installation

- No** Loosen only the instructed screws. Otherwise, product may fall out and lead to injury.

#### Warning About product usage

- No** Do not use product for unintended purpose or application. Product failure may result in injury.
- No** Do not load heavier than the stated load capacity. Product failure may result in injury.
- No** Do not apply excessive force onto product. Product failure may occur and lead to injury.

#### Caution About product maintenance

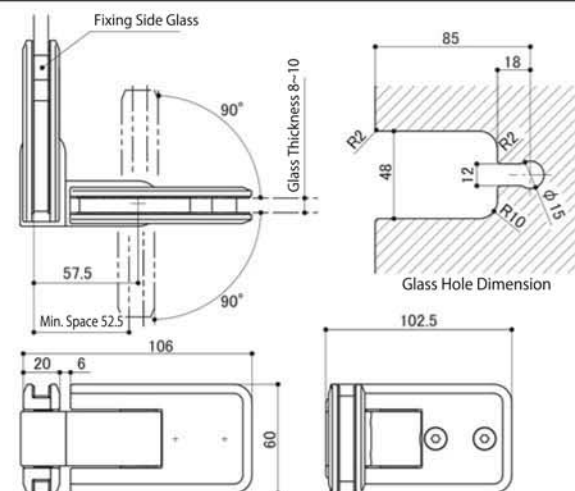
- No** Wipe away any stain of cosmetic or chemical product when found. Leaving stains on product may lead to discoloration, corrosion and/or deterioration and result in breakage and injury.
- No** Wipe with a soft, damp cloth. When necessary, wipe a damp cloth with mild detergent and finish with a soft, dry cloth. Do not use gasoline (Benzene), thinner, alcohol, or acidic/alkaline based detergent and/or cleanser to clean the product.

#### Product Specification

Type	Glass Hinge
Product Code	AC-852
Material	Brass + Stainless Steel
Product Dimension	106 x 102.5 x 60mm
Load Capacity	196N (20kgf)
Glass Thickness	8~10mm
Max. Door Width	700mm

#### \* Caution:

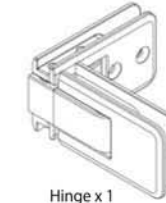
1. Please install on tempered glass doors.
2. 2 pieces have to be installed on 1 door. If the weight of the glass door is more than 50kgf, please install 3 pieces or more if necessary.



#### Package Contents



Installation Sheet x 1



Hinge x 1



Big Allen Key x 1

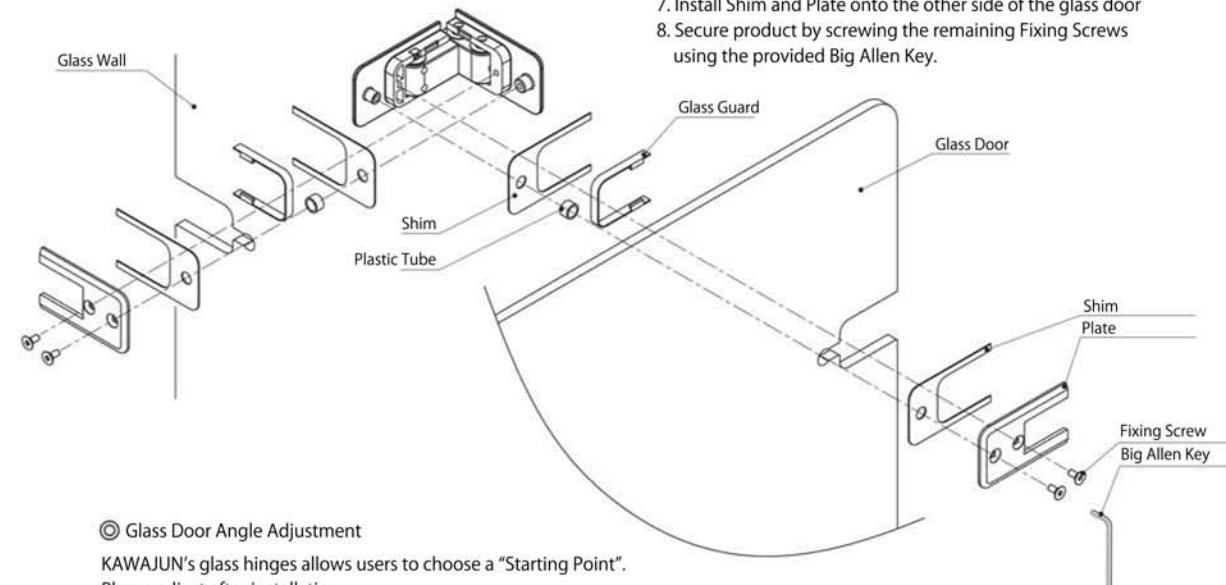


Small Allen Key x 1

#### Installation Procedure

##### Installation Procedure

1. Open glass hole according to the dimensions given.
2. Loosen and take out all 4 Fixing Screws in the hinge.
3. Install Main Body to glass wall using Shim, Plastic Tube, Glass Guard, and Plate.
4. Secure Hinge to glass wall using 2 Fixing Screws.
5. Insert Shim, Plastic Tube, and Glass Guard into Main Body.
6. Install glass door.
7. Install Shim and Plate onto the other side of the glass door.
8. Secure product by screwing the remaining Fixing Screws using the provided Big Allen Key.

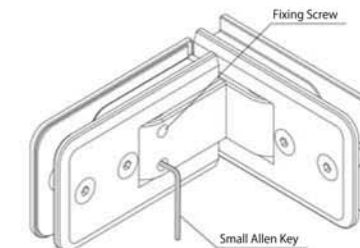


##### Glass Door Angle Adjustment

KAWAJUN's glass hinges allows users to choose a "Starting Point". Please adjust after installation.

##### Adjustment Procedure

1. Insert Small Allen Key into the 2 Fixing Screws and screw to loosen it. Caution: Please make sure Small Allen Key is inserted all the way into the Fixing Screw before turning.
2. Turn Glass Hinge to the desired "Starting Point".
3. Once angle has been confirmed, please screw back Fixing Screw.



**KAWAJUN**  
www.kawajun.co.jp

NO.001