

Spice Rack Installation Manual

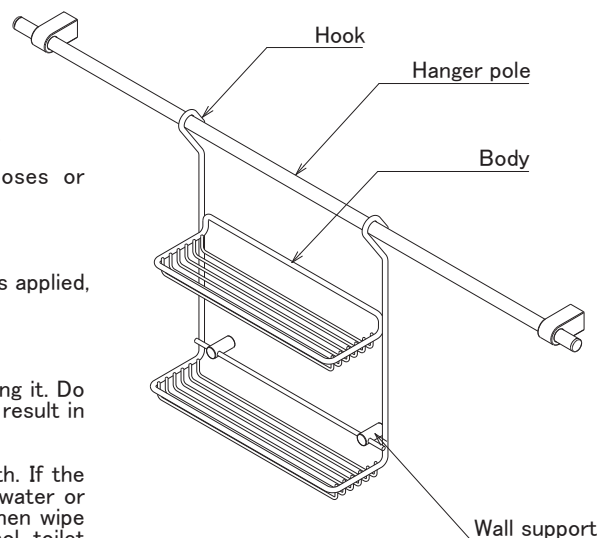
KC-012 ※Please read the installation instructions before proceeding with the installation.
Please hand this manual to the end user after installation.

◎ Installation Procedure

Hook it onto the hanger pole and ensure the wall supports are touching the wall.

⚠ Precautions for Usage

- Can only be used with KAWAJUN kitchen hanging system.
- Please do not use product for any unintended purposes or applications. Product failure may result in injuries.
- Do not apply heavy force on the product.
- The load capacity of this product is 3kgf. If a higher load is applied, the product may be damaged and cause injury.
- Please wash with dishwashing detergent before use.
- Remove the spice rack from the hanger pole before moving it. Do not slide the spice rack along the hanger pole, as it could result in scratches and damage to the pole.
- To clean this product, wipe it lightly with a soft, dry cloth. If the product is heavily soiled, wipe it with a cloth containing water or neutral detergent diluted with water (about 5-10%), and then wipe it dry with a dry cloth. Do not use benzine, thinner, alcohol, toilet detergent, fungicide, chlorine detergent, acid or alkaline detergent, cleanser, etc.
- Do not clean with metal scrubbing pad, it will scratch the surface.
- If rusted metal products like pots and pans are left on the spice rack for a period of time, the rack will start to rust too.



KAWAJUN
www.kawajun.co.jp

NO. 004