

Grab Bar Installation Instruction Sheet

KH-27

* Please be sure to read before installing product.

* Do not dispose installation sheet after installation, instead, please pass it to product user.

◎ Installation Procedure

1. Install Bracket to wall using the provided Spring Washers and Installation Screws.
2. Clasp the claws of Cap onto Bracket until a click is heard.

⚠ Caution: About installation

* If installing on plaster boards, please ensure it is at least 12mm thick.

** Do not install product on non-reinforced walls.

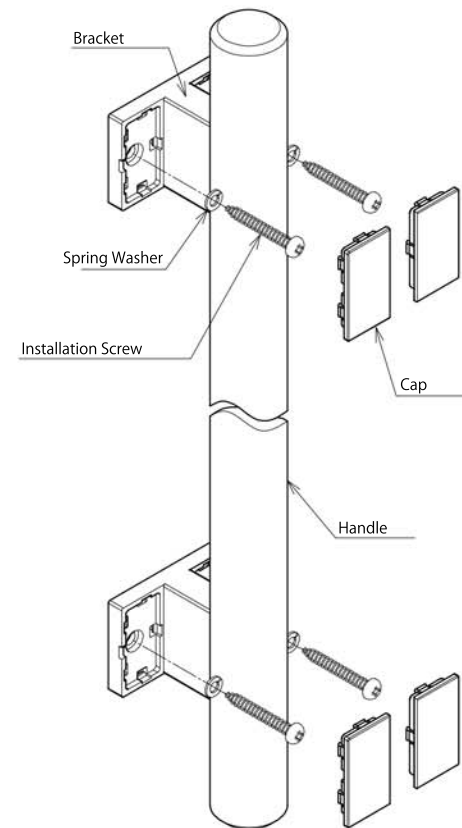
* After installation, please check to ensure product has been securely installed. If product has not been securely installed, it may wobble and drop off.

* This product is for indoor usage only. As it is not waterproof, please do not install it outdoor or in places that has a high humidity level. It may lead to corrosion and result in parts falling out and causing injury.

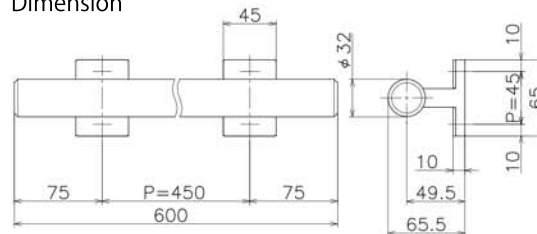
⚠ Caution: About product usage

* Load capacity for this product is 60kgf. Do not load heavier than the stated load capacity. Product failure may result in injury.

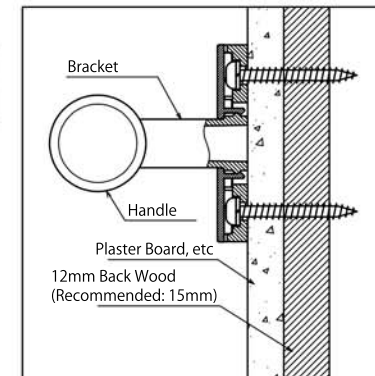
* Do not use product for unintended purpose or application. Product failure may result in injury.



Dimension



Cross Section



KAWAJUN
www.kawajun.co.jp

NO. 002