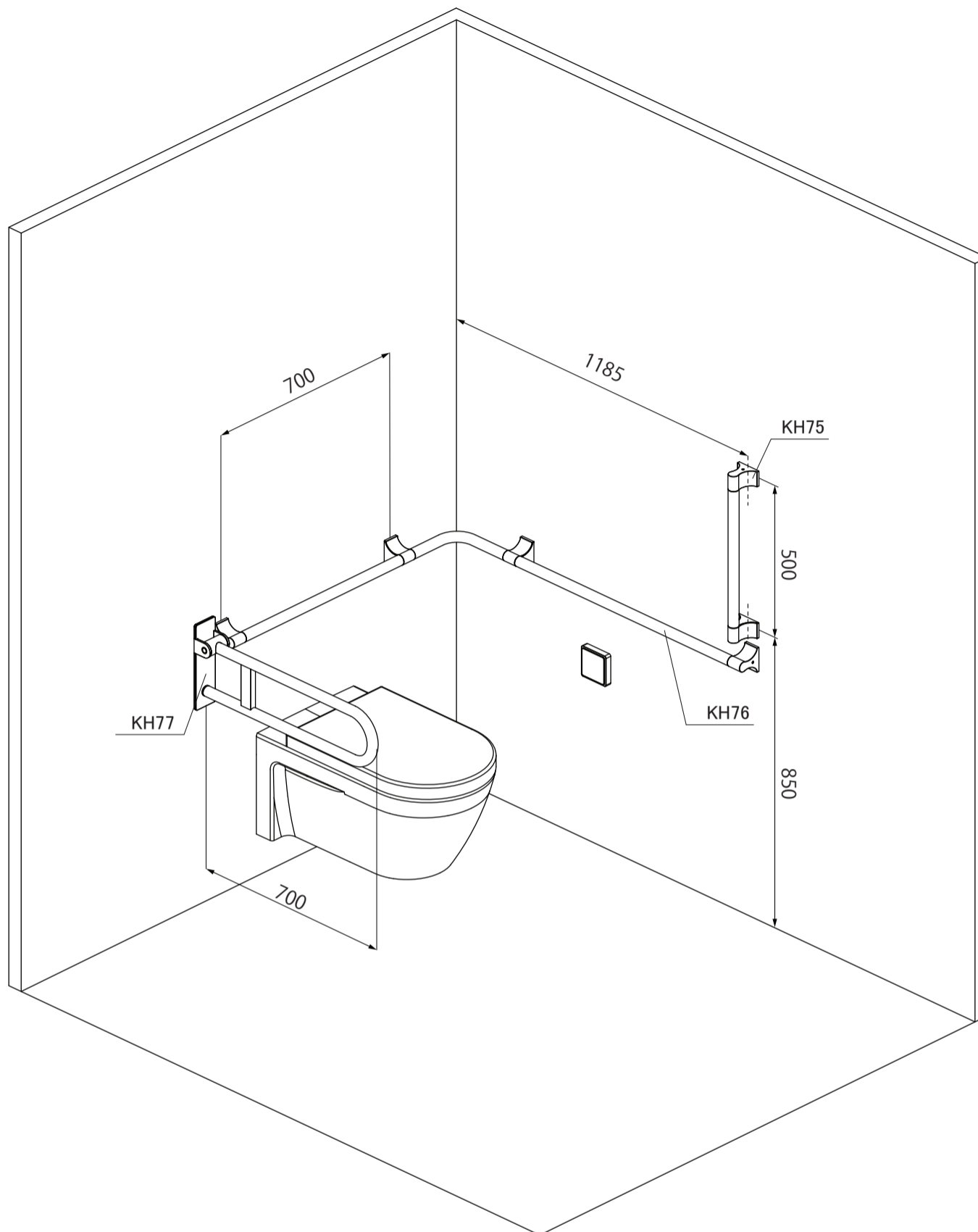
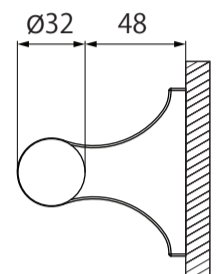


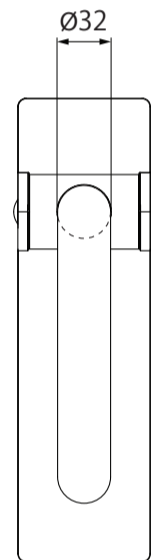
KH75, KH76, KH77 BCA Compliance Specification Sheet



KH75 & KH76
Grip Dimensions



KH77
Grip Dimensions



Grip Dimensions Requirement
Grip Size: Ø32-Ø50 Tubular
Minimum Grip Distance from wall: 40mm

1)KH75 Compliance Specification:

Vertical Grab Bar Length Required: Minimum 450mm (Center to Center)
KH75 Vertical Grab Bar Length: 500mm (Center to Center)
(Installation position requirement should be carried out by employed Project Contractor.)

2)KH76 Compliance Specification:

Horizontal Grab Bar (Water Closet Side) Length Required: Minimum 700mm
KH76 Horizontal Grab Bar (Water Closet Side) Length: 700mm
(Installation position requirement should be carried out by employed Project Contractor.)

3)KH77

Flip-up Grab Bar required in washroom.
KH77 Flip-up Grab Bar fulfils the requirement and is able to be stowed vertically to improve access.
(Installation position requirement should be carried out by employed Project Contractor.)

This specification sheet illustrates the accordance of our products named to be aligned with the BCA Code of Accessibility 2019 Chapter 4 Accessibility around and within the building and Chapter 5 Sanitary Provision.

This document only ensures that our named products are designed and produced in accordance to the requirements set by BCA Code of Accessibility 2019 and does not include the design and build of the location of use for the named products.

Please refer to the BCA Code of Accessibility 2019 for installation height and location details.