

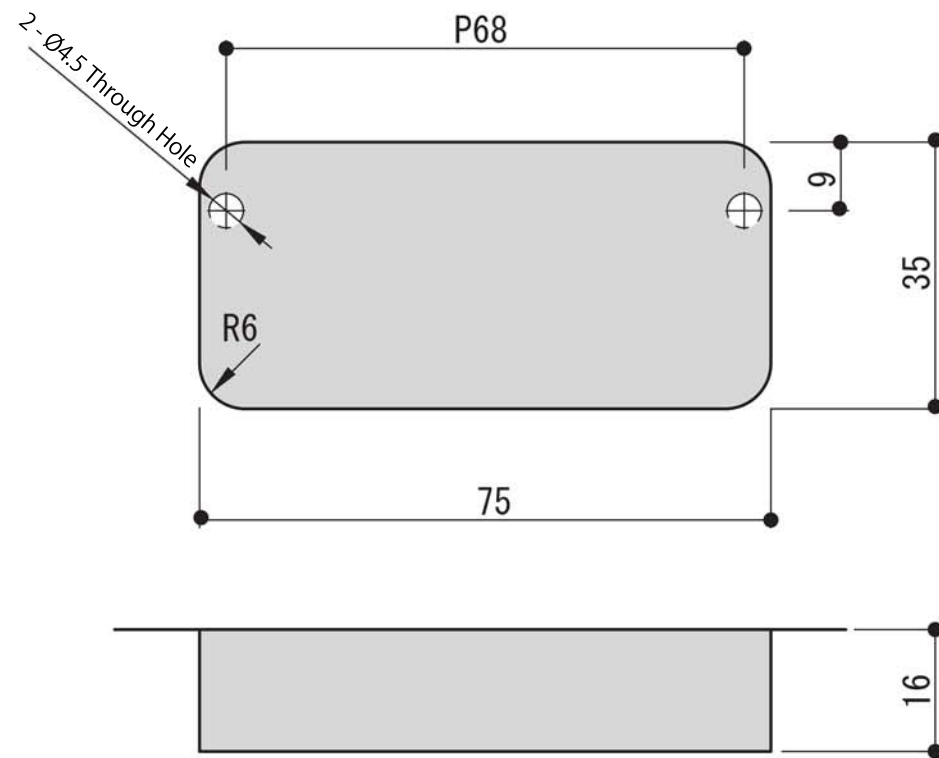
# Recessed Handle Installation Instruction Sheet

## PC-414S

\* Please be sure to read before installing product.

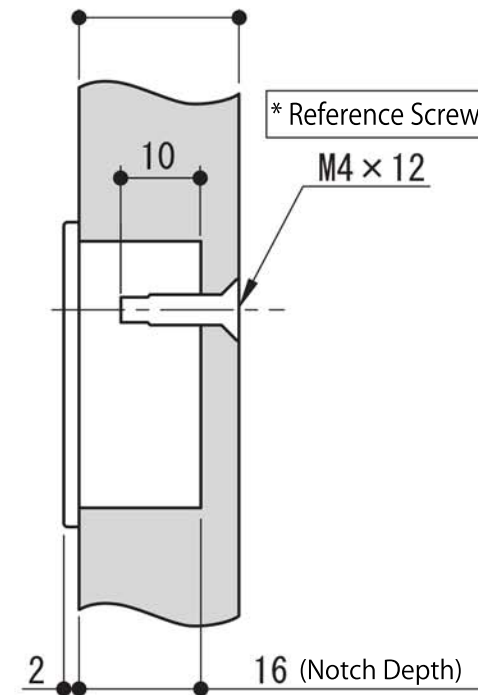
\* Do not dispose the installation sheet after installation, instead please pass it to the product user.

### PC-414S Notch Dimension



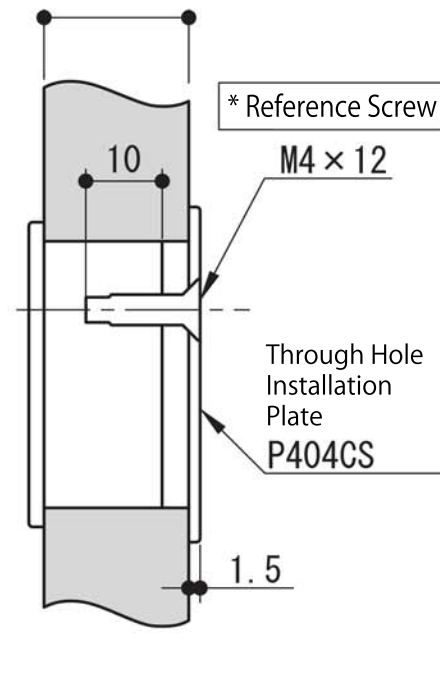
#### Notch Hole Installation

Cabinet Thickness: 21~23mm



#### Through Hole Installation

Cabinet Thickness: 18~21mm



\* Method to calculate screw length (unit: mm)  
 Notch Hole Installation: Door Thickness - 16 + 4~6  
 Through Hole Installation: Door Thickness - 16 + 3~8

#### ⚠ Caution: About installation

\* Product will be loose if installed in a notch that is bigger than what is stated.  
 \*\* Do not install product onto a hollow door.

\* Although this is the recommended dimension, do note that adjustments may be needed depending on the material of the door.

\* After installation, please check to ensure product has been installed securely.