

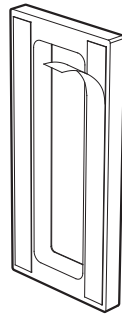
Glass Pull Installation Manual

PC-429

※Please read before installation. Please hand this manual to the final user after installation.

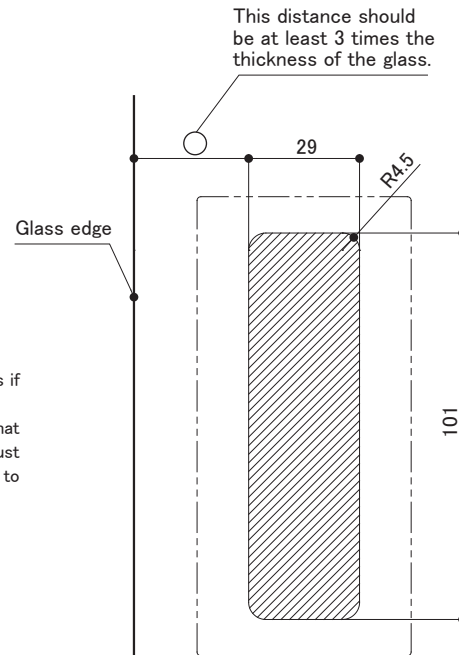
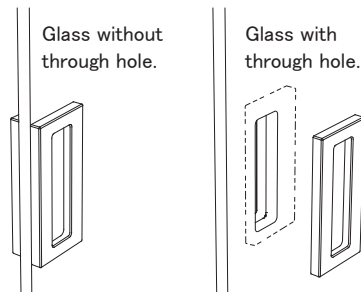
◎ Installation Procedure ①

- Peel off double sided tape and press firmly against the glass.
- Make sure contact surface (glass) is clean for a strong adhesion.



◎ Installation Procedure ②

- Handle can be stuck on directly at the edge of the glass if there are no pre-made holes.
- If a through hole is intended to be made, please note that the distance of that hole from the edge of the glass must be at least 3 times the thickness of the glass. (Refer to illustration on the right)



◎Dimension guide for installation with a pre-made through hole.

⚠ Precautions for Installation

- This product is for sliding glass doors only.
- ※ Do not use this product on anything else.
- If the glass thickness is less than 10mm, please use tempered glass.
- Before attaching the pull handle, wipe the glass with alcohol to remove any oil.
- After sticking, leave the pull handle in a warm and dry place for 24 hours until it is completely adhered.
- The product is for indoor use only and should not be used outdoors.

⚠ Precautions for Usage

- The load capacity of this product after installation is 30kgf. If a higher load is applied, the product may peel off and cause injury.
- Do not use the product for any other purpose. It may peel off and cause injury.
- To clean this product, wipe it lightly with a soft, dry cloth. If the product is heavily soiled, wipe it with a cloth containing water or neutral detergent diluted with water (about 5-10%), and then wipe it dry with a dry cloth. Do not use benzene, thinner, alcohol, toilet detergent, fungicide, chlorine detergent, acid or alkaline detergent, cleanser, etc.

KAWAJUN
www.kawajun.co.jp