

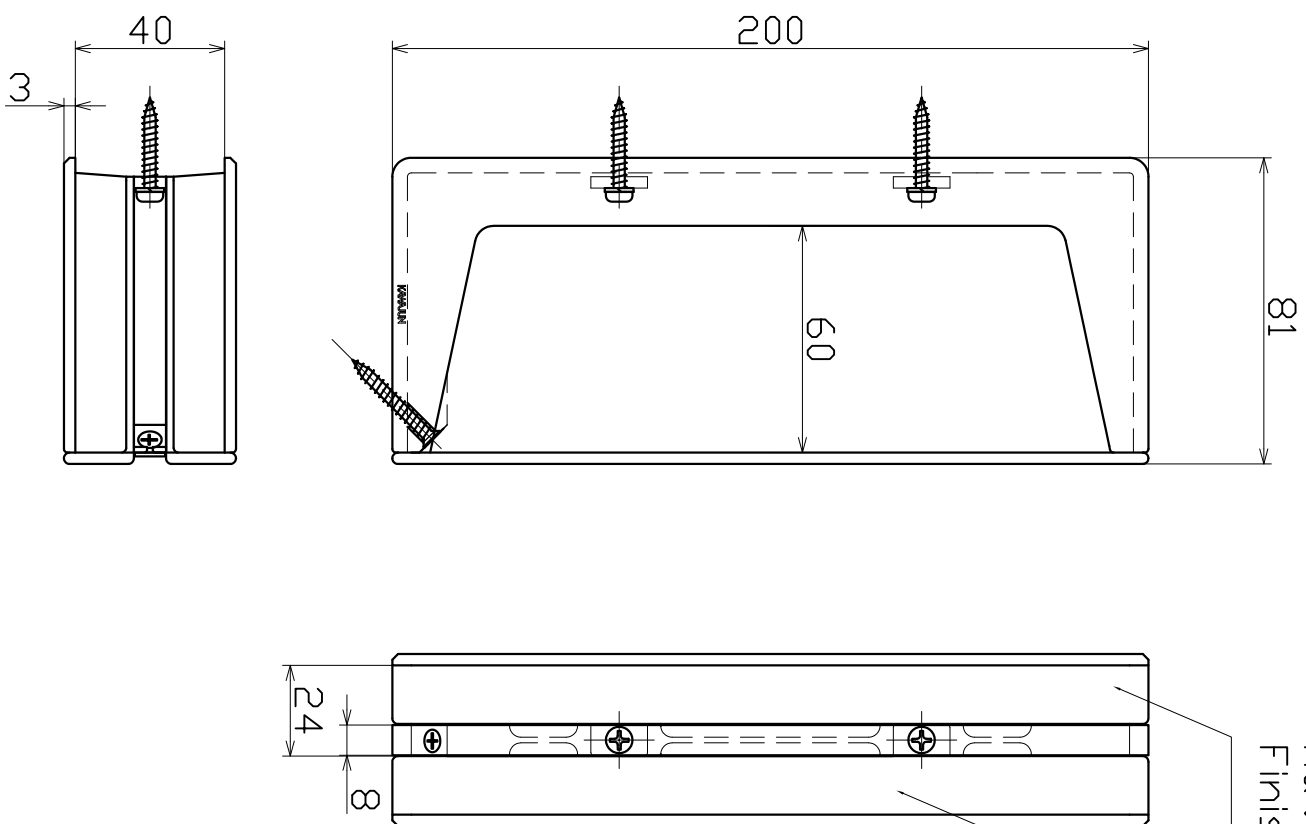
Ver	Date	Engineering change notice	Dwg	App
A	2019/01/16	新規出図	YJ	Aizawa

Material : Zinc Die-Cast
Finish : Various Platings

Material : Zinc Die-Cast
Finish : Various Plating

PC-456-X

Finish	Code
Chrome	PC-456-XC
Mirror Nickel	PC-456-XD
Champagne	PC-456-RQ
Rose Gold	PC-456-JQ
Gold	PC-456-XG
Mirror Black	PC-456-8Q
Satin Nickel	PC-456-XN
Satin Champagne	PC-456-TQ
Satin Rose Gold	PC-456-TQ
Satin Gold	PC-456-XH
Others	PC-456-XA



Product name	Name	Code
プルノブ	-	表参照
Pull Knob	-	Ver01
KAWAJUN 河津株式会社	Dim	S= 1:2 外形図

A3
作成【KAWAJUN】