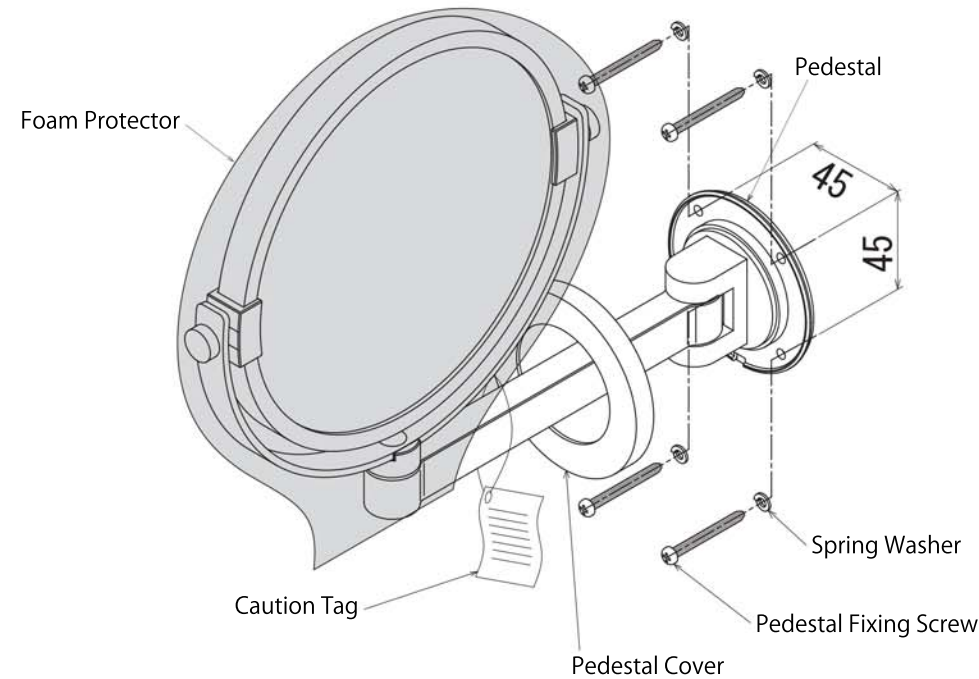


Extension Mirror Installation Instruction Sheet

SA-978

* Please be sure to read before installing product.

* Do not dispose the installation sheet after installation, instead please pass it to the product user.



☉ Installation Procedure

1. Install Pedestal to wall using the provided Spring Washers and Pedestal Fixing Screws.
2. Fix Pedestal Cover onto Pedestal.



⚠ Caution: About installation

* If product is to be installed on boards, please ensure it is at least 9mm thick.

** Do not install product onto non-reinforced walls.

* Do not install product on ALC or in spaces between concrete blocks.

* After installation, please check to ensure product has been installed properly. If product has not been installed properly, it may wobble and drop off.

* Avoid direct contact with water. Do not install product in areas with very high temperature. It may damage the product and cause it to drop off.

* Leave Foam Protector on to avoid any damage to product while installing. During installation, avoid adjustments until installation is complete.

* Do not remove Caution Tag and Foam Protector until all installations are complete.

* Avoid installing mirror in places that are exposed to strong light as the reflected rays will converge and burn anything that is in its path, which may result in a fire.

⚠ Caution: About product usage

* The load capacity for this product is 3kgf. Do not load heavier than the stated load capacity. Product failure may result in injury.

* The mirror is made of glass. Do not apply excessive force onto it as it may break.

* Do not use product for unintended purpose or application. Product failure may result in injury.

* Do not use gasoline (Benzene), thinner, alcohol, acidic/alkaline based detergent and/or cleanser to clean the product.

* When not in use, keep product towards wall and cover mirror with protector.