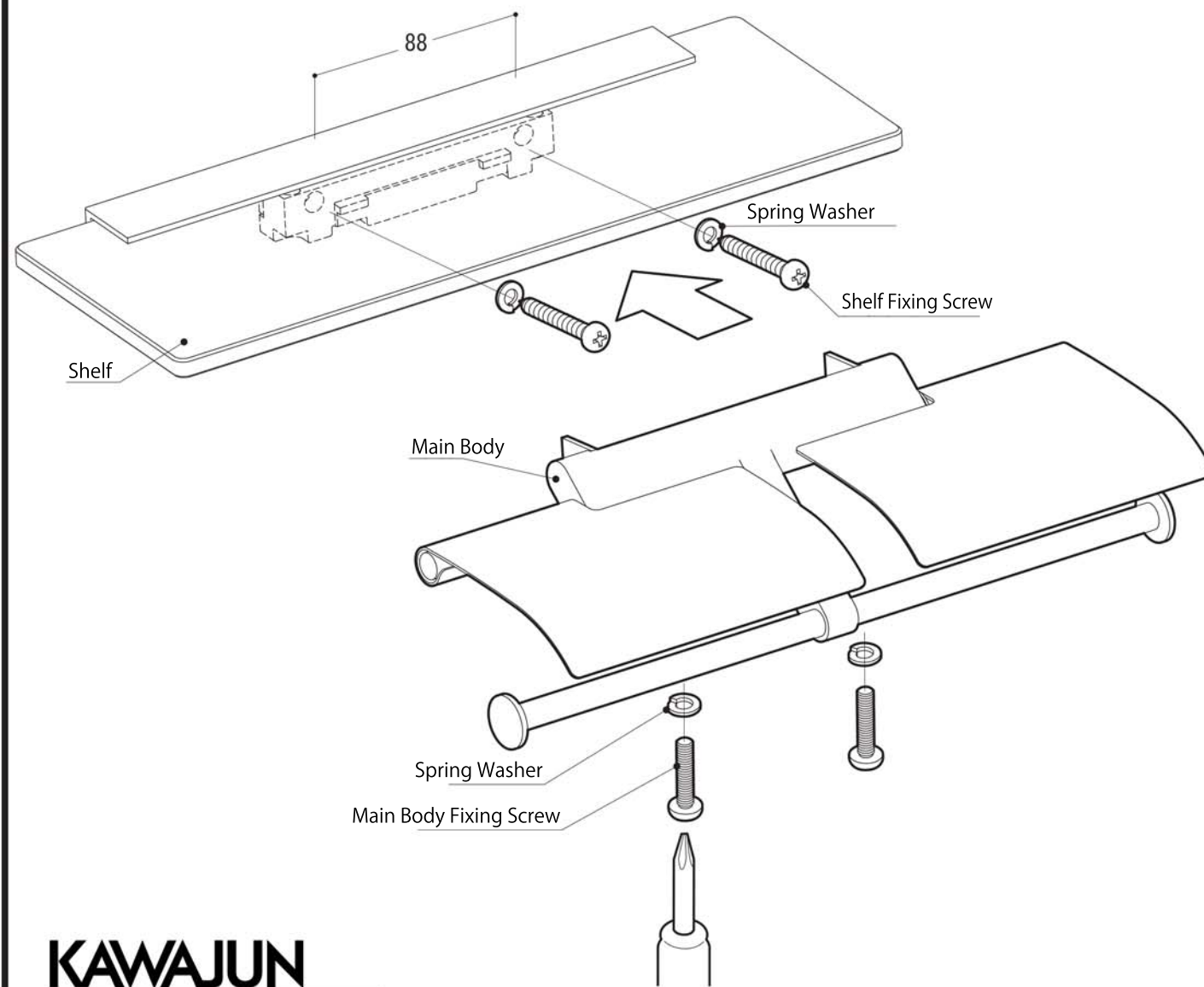


Sanitary Accessory Installation Instruction Sheet

SC-27M

* Please be sure to read before installing product.

* Do not dispose the installation sheet after installation, instead please pass it to the product user.



◎ Installation Procedure

1. Install Shelf to wall using the provided Spring Washers and Shelf Fixing Screw.
2. Install Main Body to Shelf using the provided Spring Washers and Main Body Fixing Screws .

⚠ Caution: About installation

* If product is to be installed on boards, please ensure it is at least 9mm thick.

** Do not install product onto non-reinforced walls.

* Do not install product on ALC or in spaces between concrete blocks.

* After installation, please check to ensure product has been installed properly. If product has not been installed properly, it may wobble and drop off.

* Avoid direct contact with water. Do not install product in areas with very high temperature. It may damage the product and cause it to drop off.

⚠ Caution: About product usage

* The load capacity for this product is 5kgf. Do not load heavier than the stated load capacity. Product failure may result in injury.

* Do not use product for unintended purpose or application. Product failure may result in injury.

* Do not use gasoline (Benzene), thinner, alcohol, acidic/alkaline based detergent and/or cleanser to clean the product.