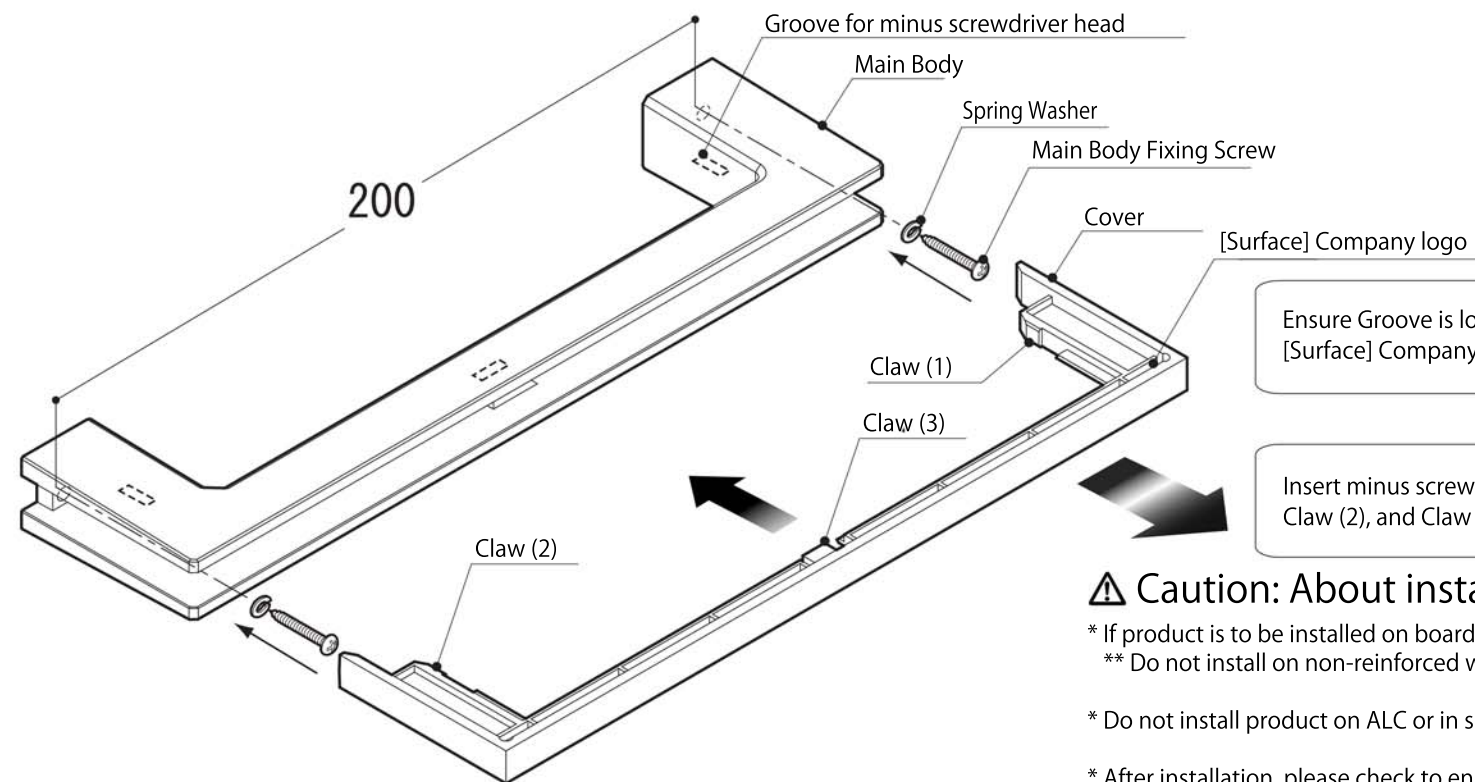


## Towel Rail Installation Instruction Sheet

# SC-291S

\* Please be sure to read before installing product.

\* Do not dispose the installation sheet after installation, instead please pass it to the product user.



Ensure Groove is located at the bottom for Main Body while [Surface] Company Logo is facing up for Cover.

Insert minus screwdriver head into Groove and push out Claw (1), Claw (2), and Claw (3) to separate Cover from Main Body.

### © Installation Procedure

1. Install Main Body to wall using the provided Spring Washers and Main Body Fixing Screws.

\* Adjust Main Body's angle before tightening screw.

2. Clasp Cover to Main Body.

\* Ensure all claws are hooked properly onto Main Body.

### ⚠ Caution: About installation

\* If product is to be installed on boards, please ensure it is at least 12mm thick.

\*\* Do not install on non-reinforced walls.

\* Do not install product on ALC or in spaces between concrete blocks.

\* After installation, please check to ensure product has been installed properly. If product has not been installed properly, it may wobble and drop off.

\* Avoid direct contact with water. Do not install product in areas with very high temperature. It may damage the product and cause it to drop off.

### ⚠ Caution: About product usage

\* The load capacity for this product is 10kgf. Do not load heavier than the stated load capacity. Product failure may result in injury.

\* Do not use product for unintended purpose or application. Product failure may result in injury.

\* Do not use gasoline (Benzene), thinner, alcohol, acidic/alkalin based detergent and/or cleanser to clean the product.