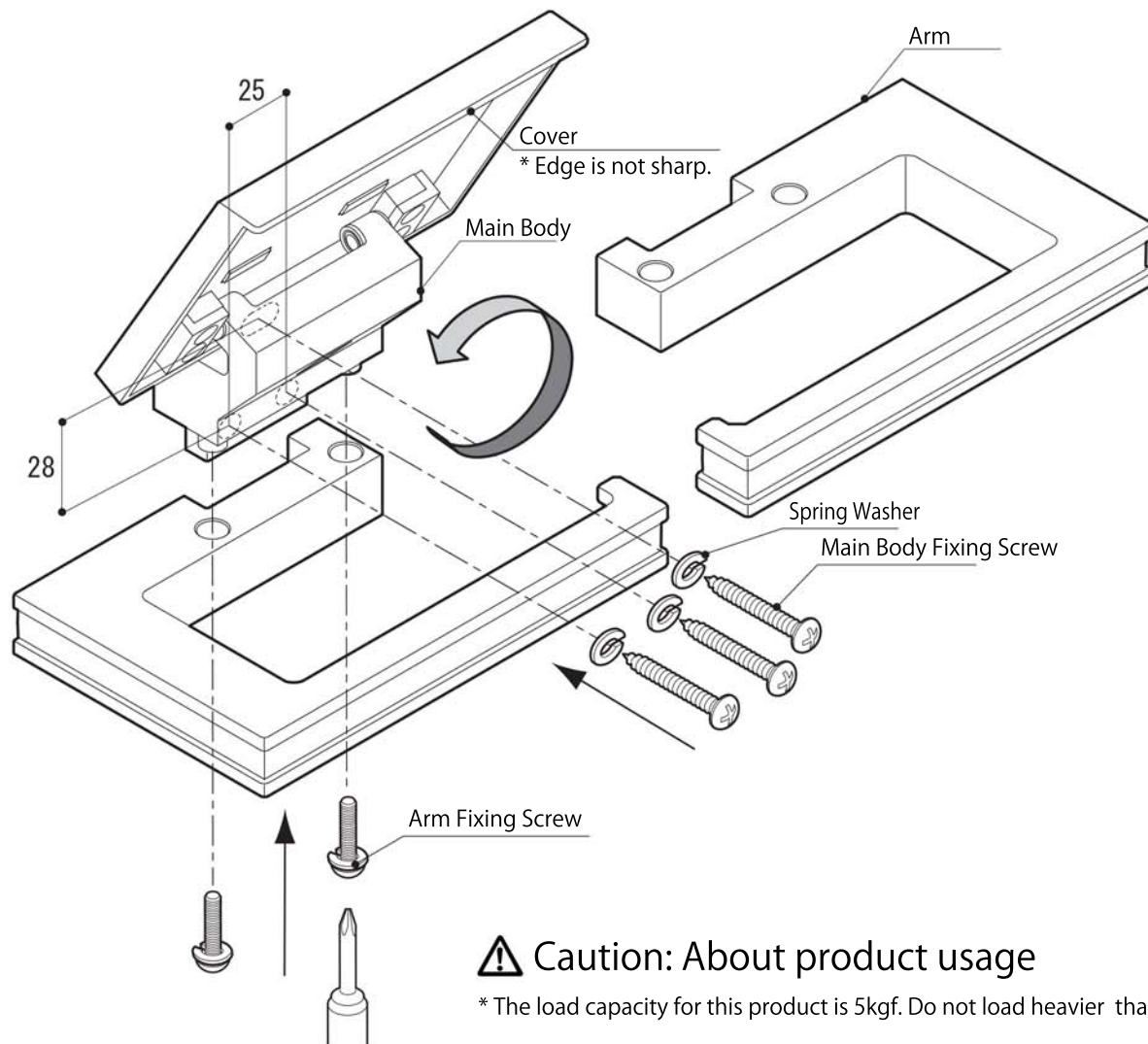


## Paper Holder Installation Instruction Sheet

# SC-293

\* Please be sure to read before installing product.

\* Do not dispose the installation sheet after installation, instead please pass it to the product user.



### ⊙ Changing Arm Direction

1. Unscrew Arm Fixing Screw to separate Arm.
2. Flip Arm to change its direction and reinstall.

### ⊙ Installation Procedure

1. Unscrew Arm Fixing Screws to separate Arm from Main Body.
2. Install Main Body to wall using the provided Spring Washers and Main Body Fixing Screws.  
\* Adjust Main Body's angle before tightening screw.
3. Fix Arm to Main Body using Arm Fixing Screw.

### ⚠ Caution: About installation

- \* If product is to be installed on boards, please ensure it is at least 12mm thick.
- \*\* Do not install on non-reinforced walls.
- \* Do not install product on ALC or in spaces between concrete blocks.
- \* After installation, please check to ensure product has been installed properly. If product has not been installed properly, it may wobble and drop off.
- \* Avoid direct contact with water. Do not install product in areas with very high temperature. It may damage the product and cause it to drop off.

### ⚠ Caution: About product usage

- \* The load capacity for this product is 5kgf. Do not load heavier than the stated load capacity. Product failure may result in injury.
- \* Do not use product for unintended purpose or application. Product failure may result in injury.
- \* Do not use gasoline (Benzene), thinner, alcohol, acidic/alkalin based detergent and/or cleanser to clean the product.
- \* As the edges of the Cover is rounded, user(s) is advised to hold down the toilet paper and tear it away.

**KAWAJUN**  
www.kawajun.co.jp

NO. 003