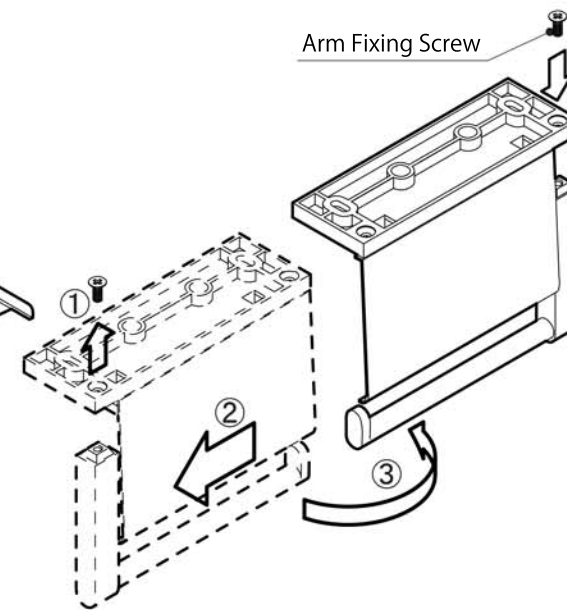
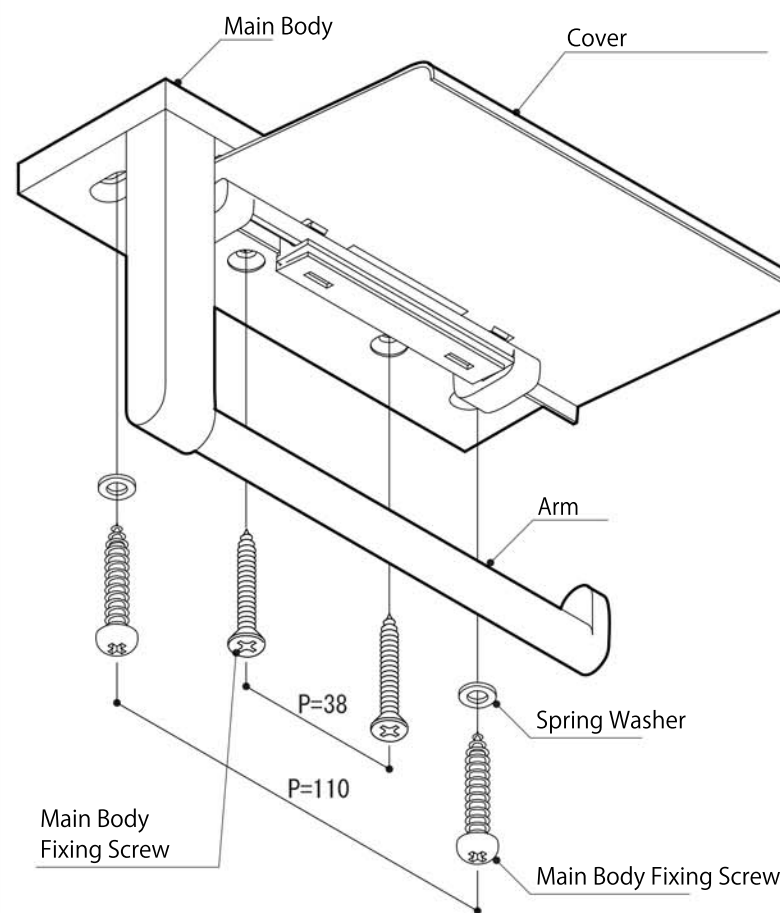


Under-counter Paper Holder Installation Instruction Sheet

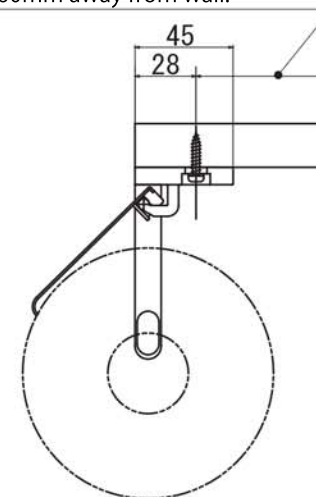
SC-31M

* Please be sure to read before installing product.

* Do not dispose the installation sheet after installation, instead please pass it to the product user.



Position of Fixing Screw must be at least 60mm away from wall.



⊙ Installation Procedure

1. Install Shelf to wall using the provided Spring Washers and Main Body Fixing Screws.

⊙ Changing Arm Direction

1. Unscrew Arm Fixing Screw to separate Arm.
2. Flip Arm to change its direction and reinstall.

⚠ Caution: About installation

* Counter must be at least 18mm thick.

** Recommended thickness is 30mm or more.

* After installation, please check to ensure product has been installed properly. If product has not been installed properly, it may wobble and drop off.

* Avoid direct contact with water. Do not install product in areas with very high temperature. It may damage the product and cause it to drop off.

⚠ Caution: About product usage

* The load capacity for this product is 5kgf. Do not load heavier than the stated load capacity. Product failure may result in injury.

* Do not use product for unintended purpose or application. Product failure may result in injury.

* Do not use gasoline (Benzene), thinner, alcohol, acidic/alkaline based detergent and/or cleanser to clean the product.