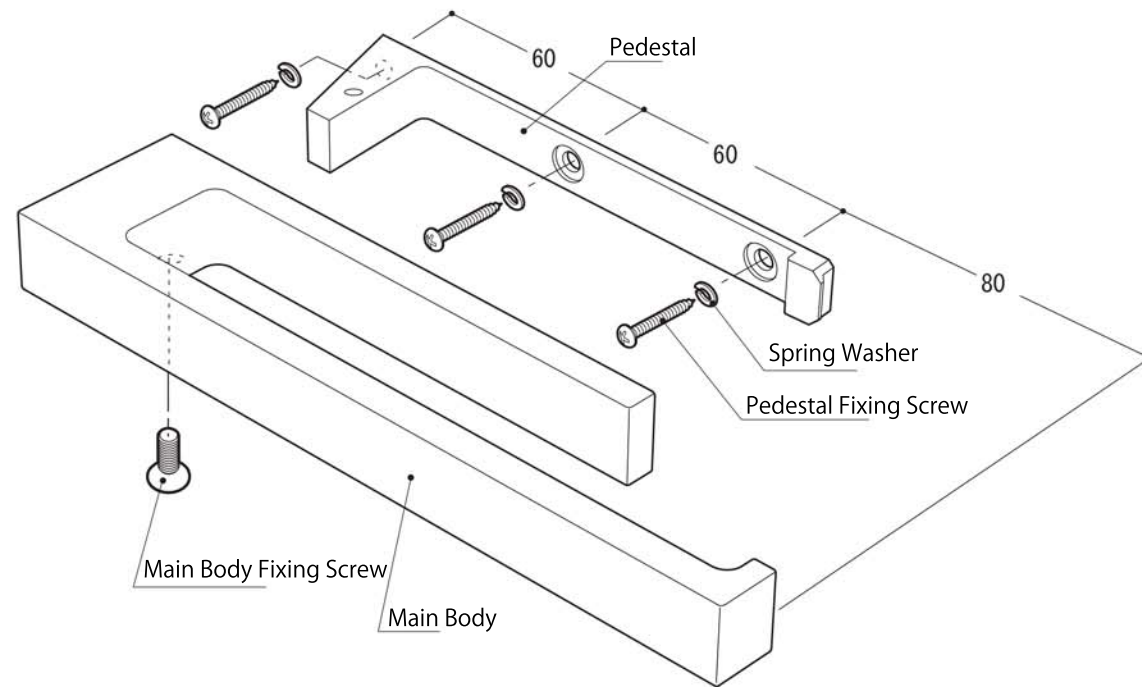


Towel Rail Installation Instruction Sheet

SC-351 / 351L

* Please be sure to read before installing product.

* Do not dispose the installation sheet after installation, instead please pass it to the product user.



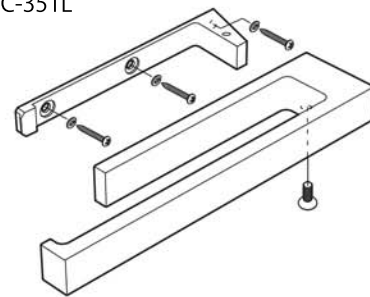
◎ Installation Procedure

1. Remove Main Body Fixing Screw to separate Main Body from Pedestal.
2. Install Pedestal to wall using the provided Spring Washers and Pedestal Fixing Screws.
3. Clasp Point A of Main Body to Pedestal first, then slide Point B to Pedestal. Secure with Main Body Fixing Screw.

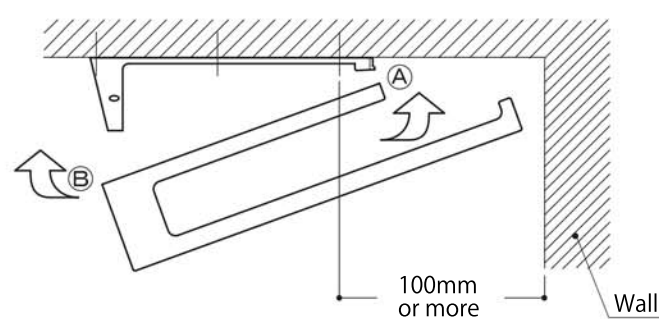
⚠ Caution: About installation

- * If product is to be installed on boards, please ensure it is at least 9mm thick.
- ** Do not install on non-reinforced walls.
- * Do not install product on ALC or in spaces between concrete blocks.
- * After installation, please check to ensure product has been installed properly. If product has not been installed properly, it may wobble and drop off.

SC-351L



Point of installation



Clasp Point A of Main Body to Pedestal first, then slide Point B of Main Body to Pedestal.

Ensure that installation is at least 100mm away from wall.

- * Avoid direct contact with water. Do not install product in areas with very high temperature.

⚠ Caution: About product usage

- * The load capacity is 5kgf. Do not load heavier than the stated load capacity. Product failure may result in injury.
- * Do not use product for unintended purpose or application. Product failure may result in injury.
- * Do not use gasoline (Benzene), thinner, alcohol, acidic/alkalin based detergent and/or cleanser to clean the product.

KAWAJUN
www.kawajun.co.jp

NO. 003