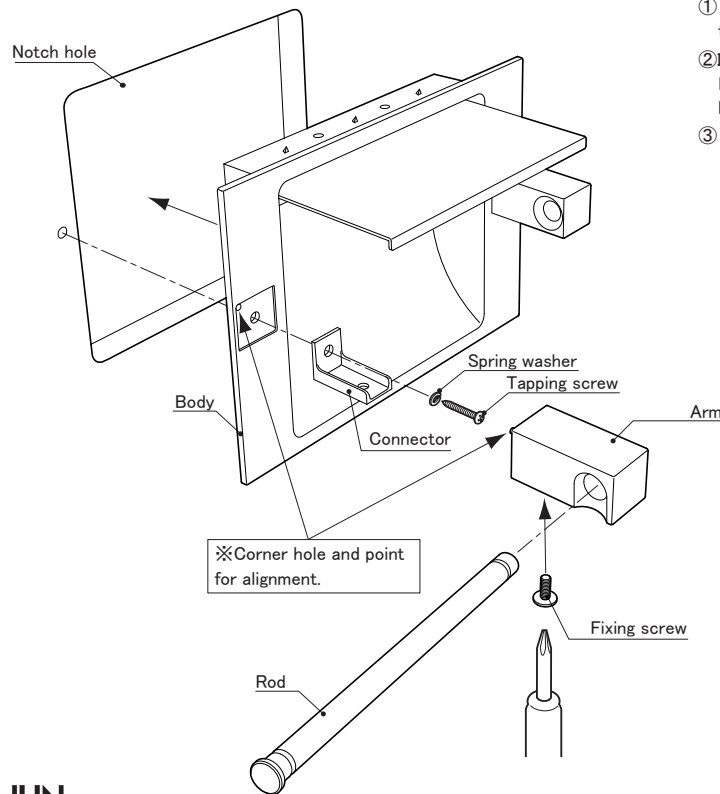


Paper Holder Installation Manual

SC-35R

※Please read the instructions before proceeding with the installation.
Please hand this manual to the end user after installation.



◎ Installation Procedure

- ① Insert the body into the notch hole and install the connectors with the tapping screws and spring washers.
- ② Install the left and right arms to the connectors with the arm fixing screws. Ensure that the corner point on the arm goes through the corner hole on the body for alignment.
- ③ Insert the rod into the arms.

⚠ Precautions for Installation

- When mounting on plasterboard, etc., use a backing surface of at least 9mm.
- ※ Do not install on a wall that is not reinforced.
- After installation, be sure to check that the product is completely secured in place. Incomplete installation may cause the product to come loose and fall, resulting in injuries.
- Do not install the product in environments exposed to water or moisture. Corrosion may occur, resulting in product failure and possible risks of injury.

⚠ Precautions for Usage

- The toilet paper can be cut cleanly by pulling along the perforation while holding down onto the paper cover edge.
- Do not use the product for any other purpose. Failure to do so may result in damage and injury.
- To clean this product, wipe it lightly with a soft, dry cloth. If the product is heavily soiled, wipe it with a cloth containing water or neutral detergent diluted with water (about 5-10%), and then wipe it dry with a dry cloth. Do not use benzene, thinner, alcohol, toilet detergent, fungicide, chlorine detergent, acid or alkaline detergent, cleanser, etc.