

AC-840 (Glass Hinge)

Safety Warning

- * Please be sure to read "Safety Warning" before installation to ensure product will be installed properly.
- * Customers who have purchased this product from the online shop should read the attached "Disclaimers and Warranties" and "Precautions" before installation.
- * Do not dispose the installation sheet after installation, instead please pass it to the product user.
- * Pass all tools that have been provided to product user.

■ The following displays shows the levels of harm or damage if product is not installed properly.

Warning This display warns the possibility of death or serious injury.	Caution This display warns the possibility of injury or possibility of physical damage.
---	--

■ The following symbols shows the precautions that needs to be observed.

This symbol is used to identify prohibited actions that must not be carried out.	This symbol is used to identify mandatory actions that must be carried out.
--	---

Warning About installation

- * Do not install this product on glass doors that are thicker or wider than what is stated.
- After installation, please check to ensure product has been installed properly. If product has not been installed properly, it may wobble and drop off, resulting in injuries.

Warning About product usage

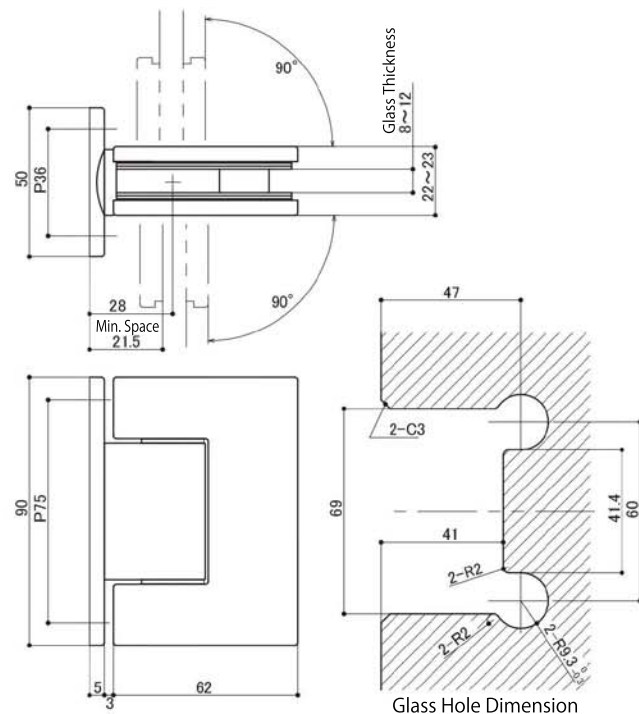
- Do not use product for unintended purpose or application. Product failure may result in injury.
- Do not load heavier than the stated load capacity. Product failure may result in injury.
- Do not apply excessive force onto product. Product failure may occur and lead to injury.

Caution About product maintenance

- Wipe away any stain of cosmetic or chemical product when found. Leaving stains on product may lead to discolouration, corrosion and/or deterioration and result in breakage and injury.
- Wipe with a soft, damp cloth. When necessary, wipe a damp cloth with mild detergent and finish with a soft, dry cloth. Do not use gasoline (Benzene), thinner, alcohol, or acidic/alkaline based detergent and/or cleanser to clean the product.

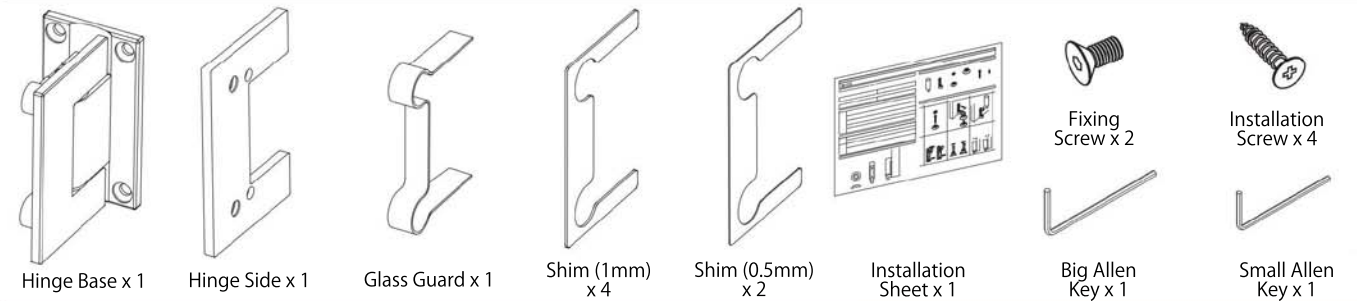
Product Specification

Type	Glass Hinge
Product Code	AC-840
Material	Brass + Stainless Steel
Product Dimension	90 x 50 x 70mm
Load Capacity	245N (25kgf)
Glass Thickness	8~12mm
Max. Door Width	700mm



- * Caution:
1. Please install on tempered glass doors.
 2. 2 pieces have to be installed on 1 door. If the weight of the glass door is more 50kgf, please install 3 pieces or more if necessary.

Package Contents



Installation Procedure

Installation Procedure

1. Open glass hole according to the dimensions given.
2. Utilise the necessary amount of Shim according to the glass door thickness.
3. Install Hinge Base to wall using the provided Installation Screws.
4. Insert Glass Guard and half of Shim needed into Hinge Base.
5. Install glass door.
6. Insert remaining half of Shim and Hinge Side onto the other side of the glass door.
7. Secure product by screwing Fixing Screw with the provided Big Allen Key.

Quantity of Shim needed

- Glass Thickness 8mm: Shim (1mm) x 4 and Shim (0.5mm) x 2
- Glass Thickness 10mm: Shim (1mm) x 2 and Shim (0.5mm) x 2
- Glass Thickness 10mm: Shim (0.5mm) x 2

