

AC-883 (Glass Hinge)

Safety Warning

- *Please be sure to read "Safety Warning" before Installation to ensure product will be installed properly.
- *Customers who have purchased this product from the online shop should read the attached "Disclaimers and Warranties" and "Precautions" before Installation.
- *Do not dispose the installation sheet after installation, instead please pass it to the product user.
- *Pass all tools that have been provided to product user.



■ The following displays show the levels of harm or damage if product is not installed properly.

 Warning This display warns the possibility of death or serious injury.	 Caution This display warns the possibility of injury or possibility of physical damage.
---	--




■ The following symbols show the precautions that need to be observed.

 This symbol is used to identify prohibited actions that must not be carried out.	 This symbol is used to identify mandatory actions that must be carried out.
--	---



About Installation

-  *Do not install this product on glass doors that are thicker or wider than what is stated.
-  *After installation, please check to ensure product has been installed properly. If product has not been installed properly, it may wobble and drop off, resulting in injuries.

About product usage

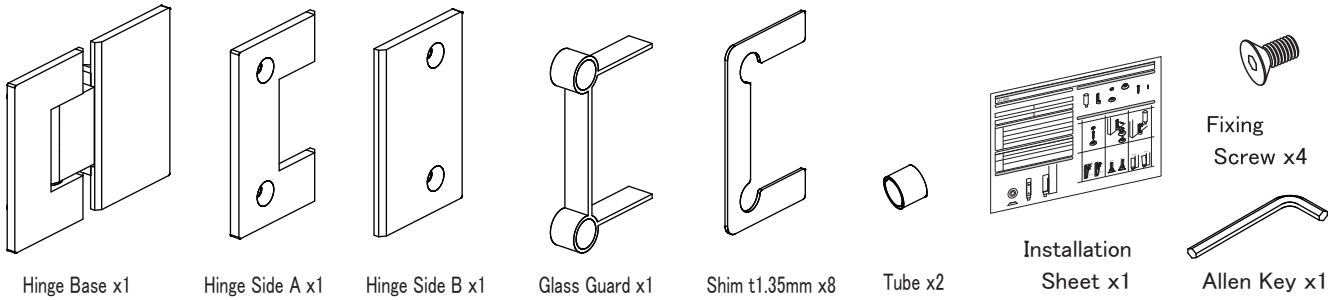
-  *Do not use product for unintended purpose or application. Product failure may result in injury.
-  *Do not load heavier than the stated load capacity. Product failure may result in injury.
-  *Do not apply excessive force onto product. Product failure may occur and lead to injury.

About product maintenance

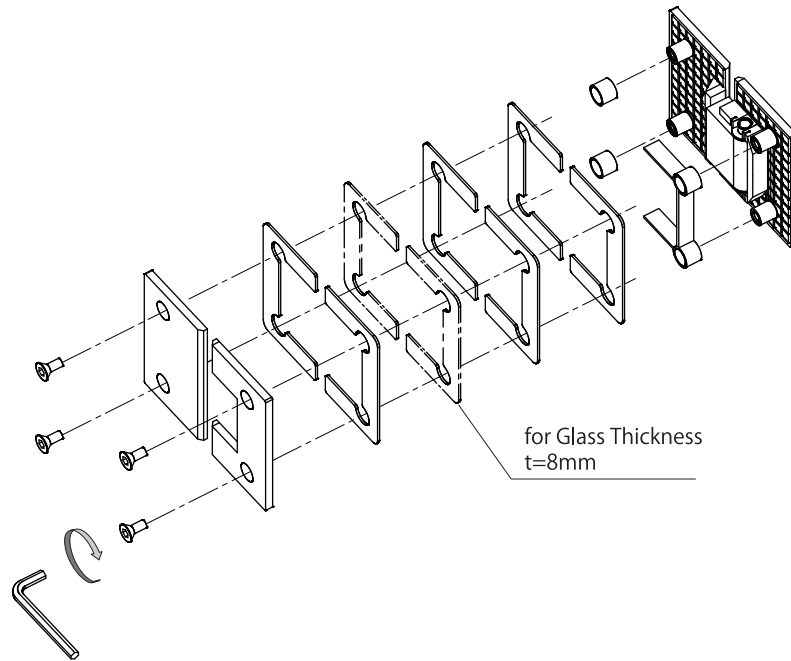
-  *Wipe away any stain of cosmetic or chemical product when found. Leaving stains on product may lead to discoloration, corrosion and/or deterioration and result in breakage and injury.
-  *Wipe with a soft, damp cloth. When necessary, wipe a damp cloth with mild detergent and finish with a soft, dry cloth. Do not use gasoline (Benzene), thinner, alcohol, or acidic/alkaline based detergent and/or cleaner to clean the product.

AC-883 (Glass Hinge)

Package Contents

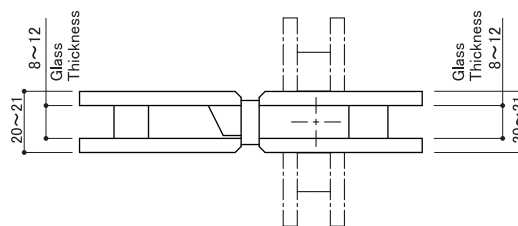


Installation Procedure



Product Specification

Type	Glass Hinge
Product Code	AC-883
Material	Stainless Steel
Product Dimension	88 × 21 × 114.5
Load Capacity	245n (25kgf)
Glass Thickness	8~12mm
Max. Door Width	700mm



***Caution**

1. Please install on tempered glass doors.
 2. 2 pieces have to be installed on 1 door.
- If the weight of glass door is more 50kgf please install 3 pieces or more if necessary

