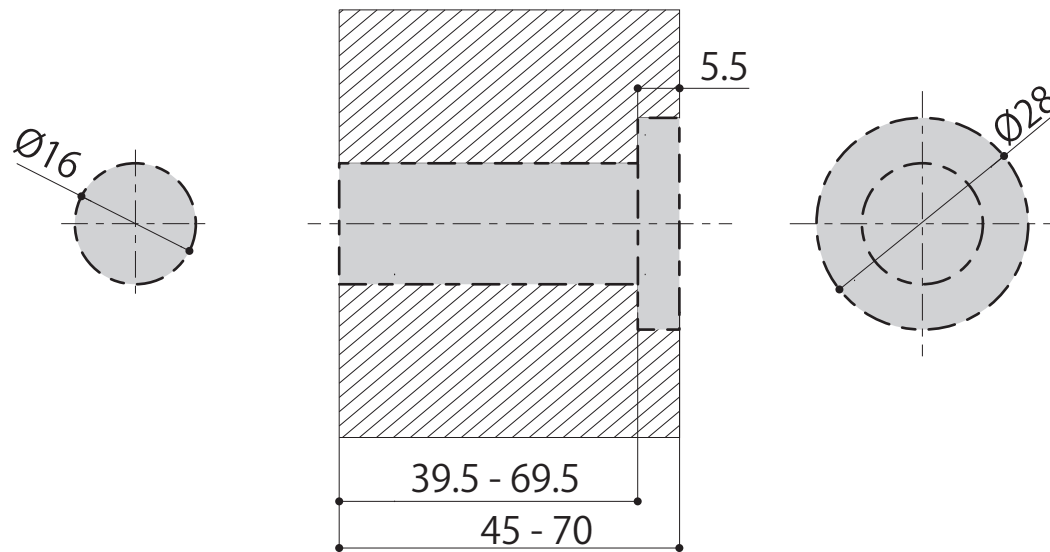


Door Eye Viewer · Hole cutting dimensions

# AC-886

※Please read this sheet carefully before installation.

AC-886 Hole cutting template



⚠ Installation Notice

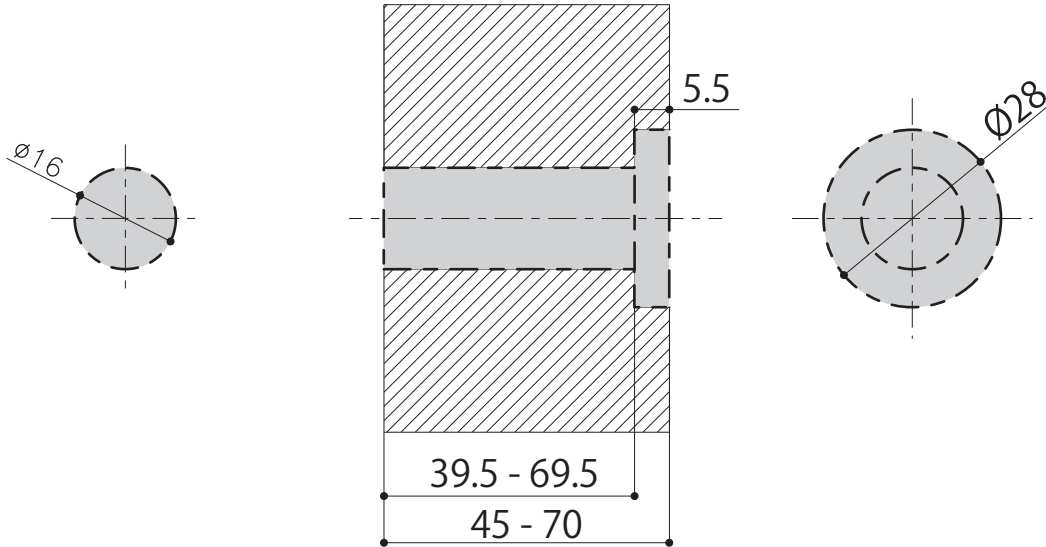
- Door viewer may wobble if the installation hole is made beyond the dimensions indicated.
- The indicated dimensions are recommended dimensions and during installation, some adjustment may need to be made depending on the door material.

Door Eye Viewer • Hole cutting dimensions

# AC-886

※Please read this sheet carefully before installation.

AC-886 Hole cutting template



⚠ Installation Notice

- Handle may wobble if the installation hole is made beyond the dimensions indicated.
- The indicated dimensions are recommended dimensions and during installation, some adjustment may need to be made depending on the door material.