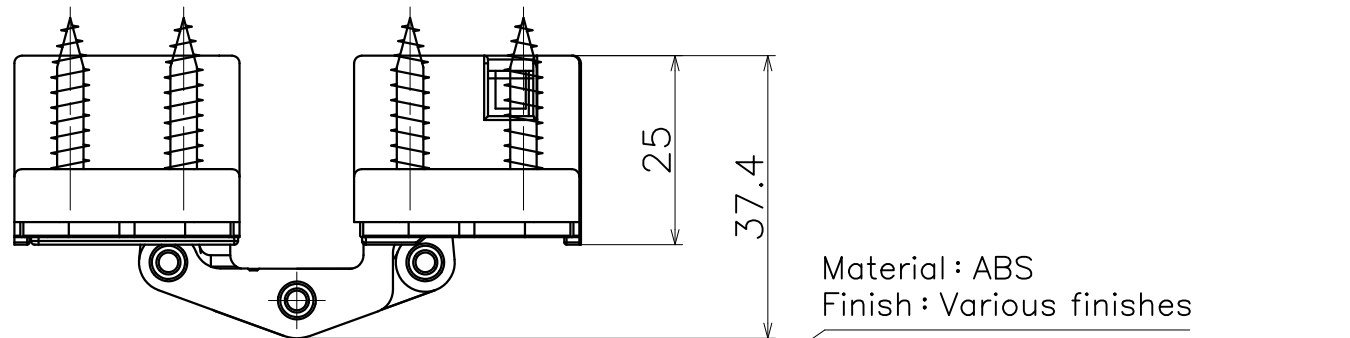
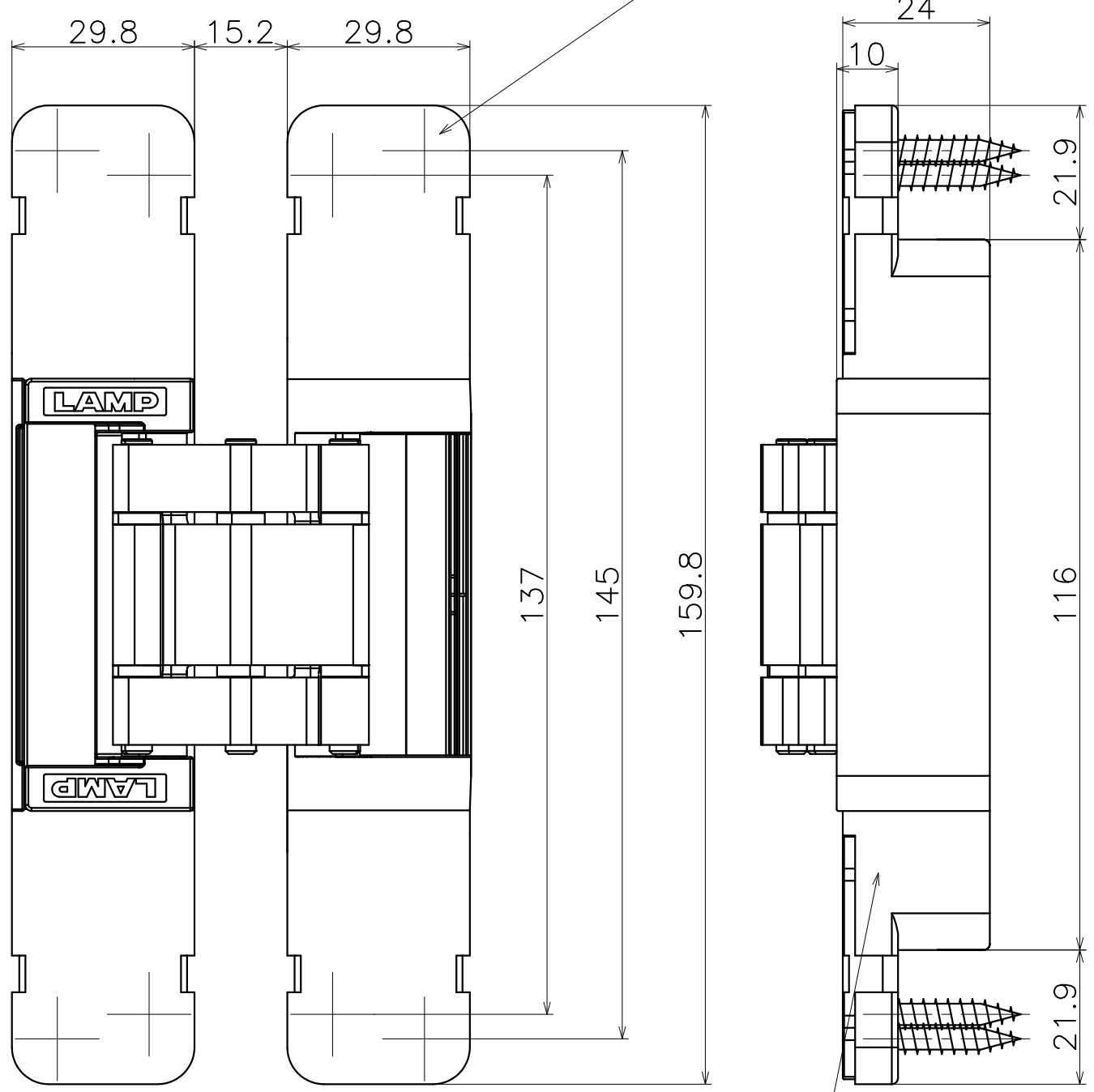


Ver	Date	Engineering change notice	Dwg	App
1	0000/00/00	新規出図	KAWAJUN	KAWAJUN



Material : ABS  
Finish : Various finishes



Material : Zinc die casting  
Finish : Various finishes

### AC-887-X

Finish	Code	(Lamp code)
Silver	AC-887-XS	HES3D-E160DC
Nickel	AC-887-XN	HES3D-E160DN
Black	AC-887-XK	HES3D-E160BL
Gold	AC-887-XG	HES3D-E160BL
Custom	AC-887-XX	HES3D-E160BL

Product name	Name	Code						
隠し丁番	-	Refer table						
Conceal Hinges	-	Ver02						
<b>KAWAJUN</b> 河淳株式会社		<table border="1"> <tr> <td>Dim</td> <td>Geo</td> <td rowspan="2">s= 1:1</td> <td rowspan="2">外形図</td> </tr> <tr> <td>m</td> <td>K</td> </tr> </table>	Dim	Geo	s= 1:1	外形図	m	K
Dim	Geo	s= 1:1	外形図					
m	K							

2021-08-20 10:03:02 AC887\_drawing