

Towel Holder Installation Instruction Sheet

KC-017

* Please be sure to read before installing product.

* Do not dispose the installation sheet after installation, instead please pass it to the product user.

How to use

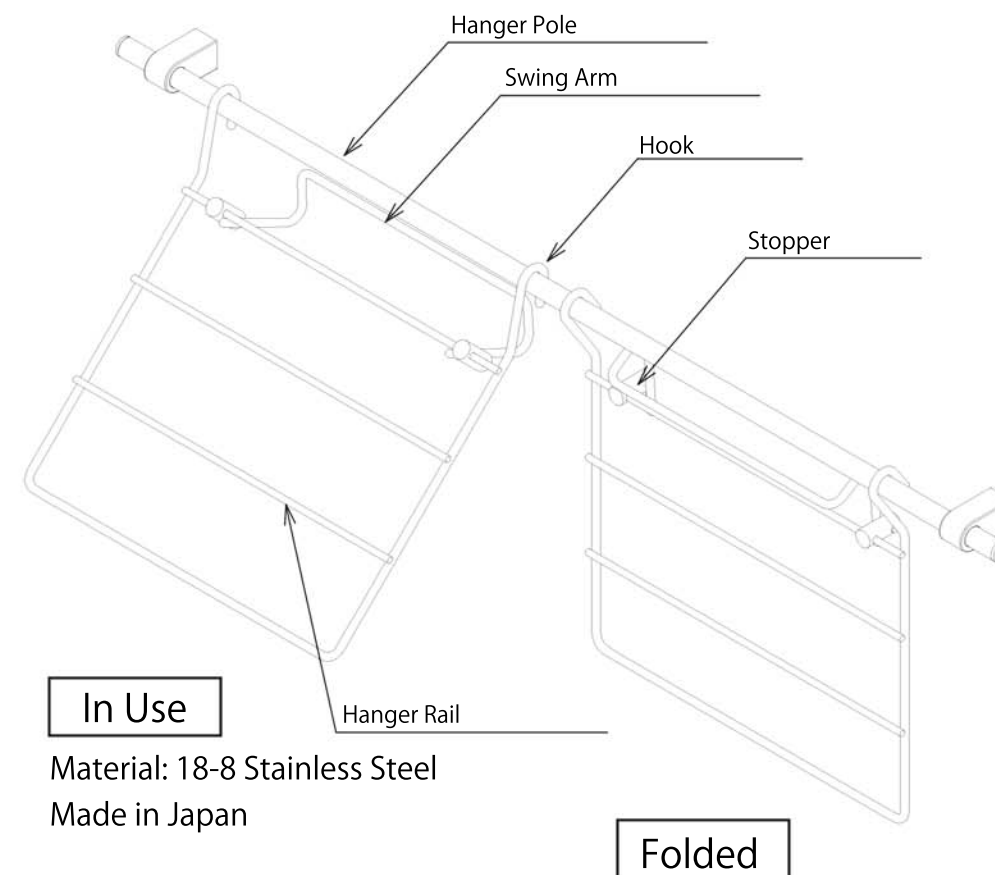
1. Open Swing Arm slightly and hook product onto Hanger Pole.
2. Ensure that Towel Holder can both be folded properly and support it when Swing Arm is down.
3. Pull the bottom of Towel Holder towards you and ensure that Swing Arm is fully down before placing your towel on holder.

Caution: About product usage

- * Do not use product with other items that are not part of KAWAJUN's Kitchen Hanger System.
- * Use product only as a towel holder.
- * Do not apply excessive force onto product.
- * The load capacity for this product is 3kg. Do not load heavier than the stated weight as it may cause product to warp.
- * Do not place items other than towels onto product.
- * Wash product with dishwashing detergent before using.
- * Remove Towel Holder from Hanger Pole before shifting it.
- * Do not remove Stopper as the pipes may scratch the wall.

Maintenance

- * Wash Towel Holder if it gets dirty.
- * Do not use strong detergent or wire scrub to clean product as it may scratch it.
- * Leaving rusted items on product for a long period of time may cause the rust to spread.



KAWAJUN
www.kawajun.co.jp

NO. 004