

## Grab Bar Installation Instruction Sheet

# KH-46

\* Please be sure to read before installing product.  
\* Do not dispose the installation sheet after installation, instead please pass it to the product user.

### © Installation Procedure

1. Install Bracket to wall using the provided Spring Washers and Installation Screws.
2. Secure Cover to Bracket with Cover Fixing Screws.

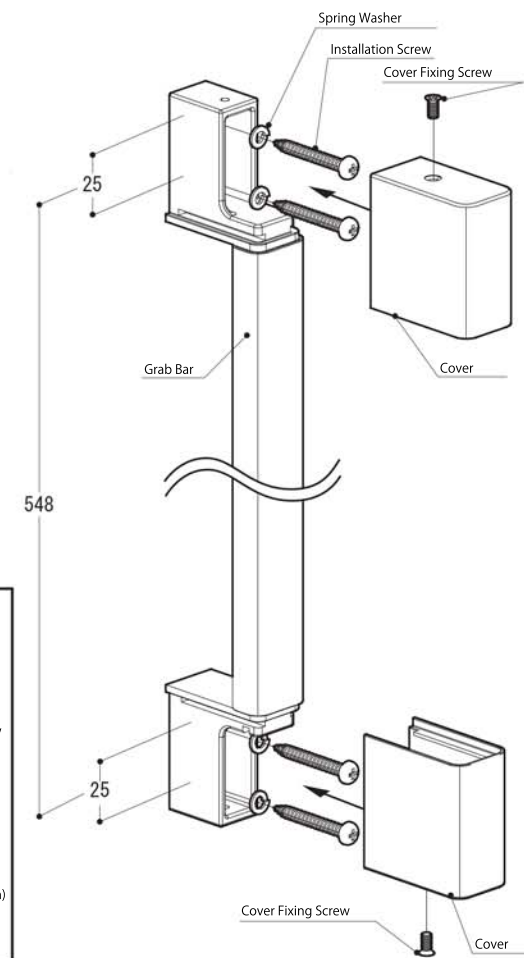
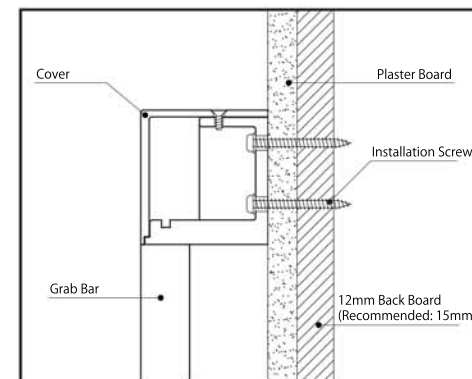
### ⚠ Caution: About installation

- \* If installing on plaster boards, please ensure it is at least 12mm thick.
- \*\* Do not install product on non-reinforced walls.
- \* After installation, please check to ensure product has been securely installed.
- \* This product is for indoor usage only. As it is not waterproof, please do not install it outdoor or in places that has a high humidity level. It may lead to corrosion and result in parts falling out and causing injury.

### ⚠ Caution: About product usage

- \* Load capacity for this product is 60kgf. Do not load heavier than the stated load capacity. Product failure may result in injury.
- \* Do not use product for unintended purpose or application. Product failure may result in injury.

### Cross Section



**KAWAJUN**  
www.kawajun.co.jp

NO. 002