

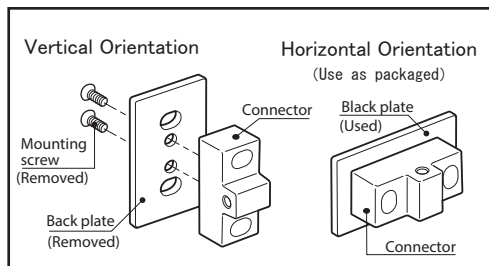
Handrail Installation Manual

KH-23/24

※Please read the installation instructions before proceeding with the installation.
Please hand this manual to the end user after installation.

◎Installation Procedure

- ① (Vertical orientation) Remove the mounting screws and back plate from the connector.
(Horizontal orientation) Use as packaged.



- ② Determine the mounting position and install the connectors with the tapping screws and spring washers.
③ Attach the body of the handrail to the connectors, and secure it to the connectors with the fixing screws.

⚠ Precautions for Installation

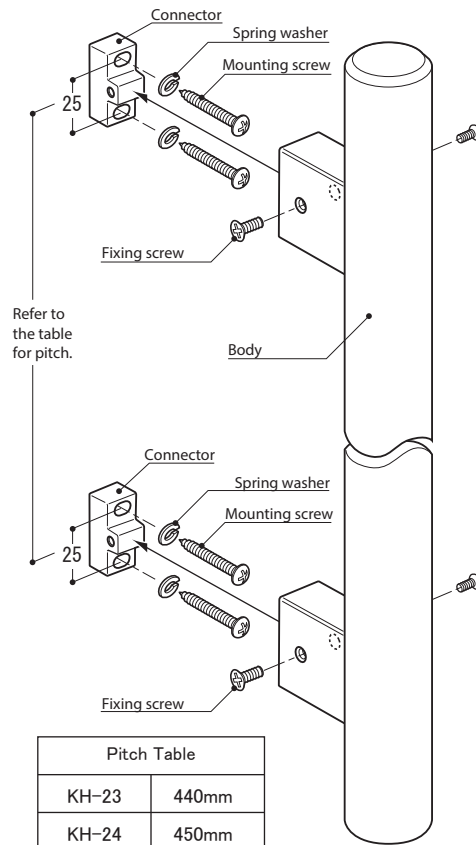
- When mounting on plasterboard, etc., use a backing surface of at least 12mm.
※ Do not install on a wall that is not reinforced.
- After installation, be sure to check that the product is completely secured in place. Incomplete installation may cause the product to come loose and fall, resulting in injuries.
- Do not install product in environments exposed to water or moisture. Corrosion may occur, resulting in product failure and possible risks of injury.

⚠ Precautions for Usage

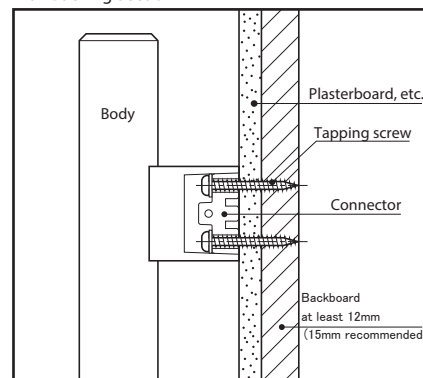
- The load capacity of this product is 60kgf. Loads heavier than the stated load capacity may result in product failure and possible risks of injury.
- Do not use the product for any other purpose. Failure to do so may result in damage and injury.
- To clean this product, wipe it lightly with a soft, dry cloth. If the product is heavily soiled, wipe it with a cloth containing water or neutral detergent diluted with water (about 5-10%), and then wipe it dry with a dry cloth. Do not use benzene, thinner, alcohol, toilet detergent, fungicide, chlorine detergent, acid or alkaline detergent, cleanser, etc.

KAWAJUN

www.kawajun.co.jp



Wall Backing Section



NO. 004