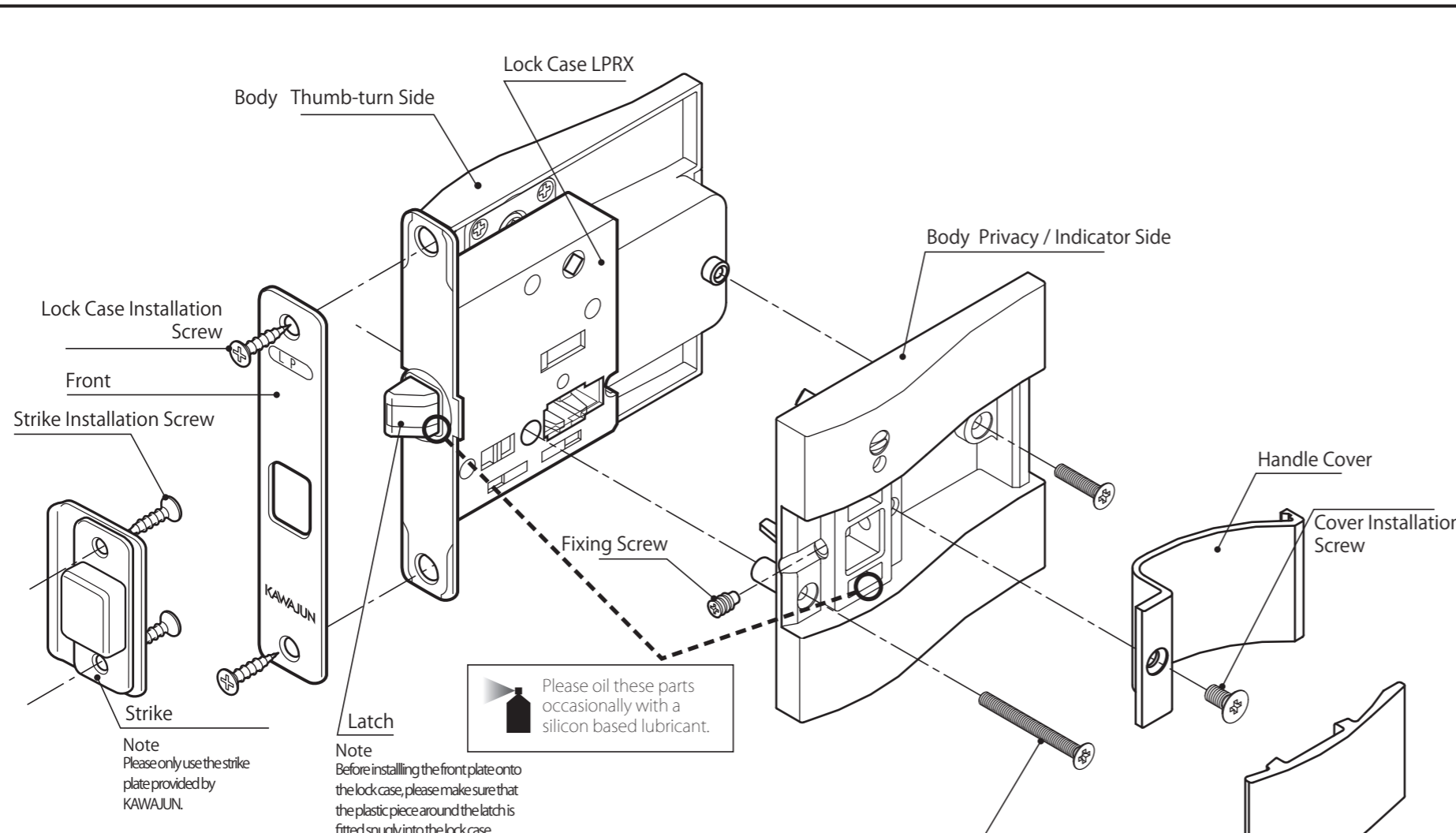


LPR Lock Case (Integrated Push Pull Handle For LP-01)

● Please do not dispose off this instruction sheet after installation. Instead, please pass it to the user for safe keeping.

● Integrated Push Pull Handle • Set Content and Name of Parts



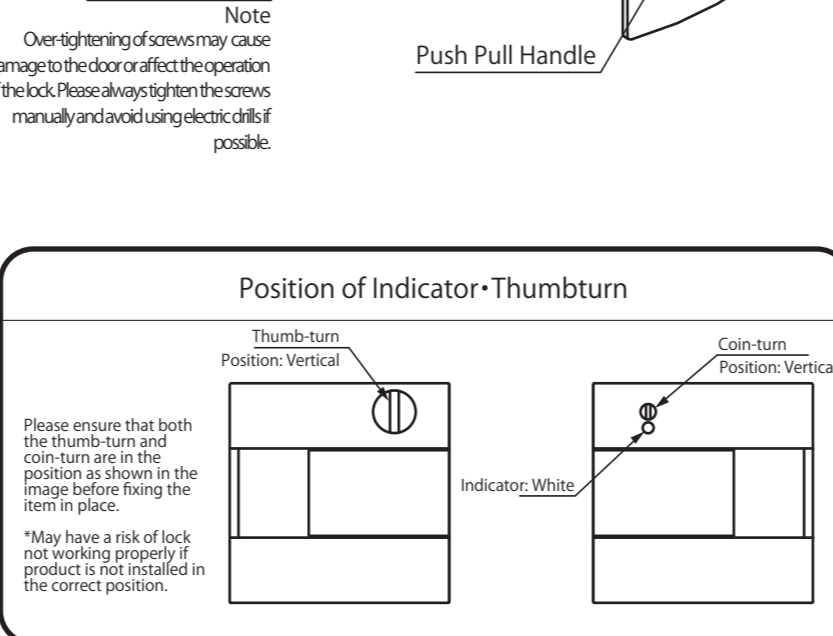
⚠ About our products

- All KAWAJUN products are for indoor use only.
 - All KAWAJUN products are sold as sets with few exceptions. We will not be responsible for any failures or faults that occur when our products are used with parts from another brand or manufacturer.
 - Please do not remove the protection sheet that is on the handle until all construction works are complete.
 - Clean product occasionally as presence of rubbish, etc in the strike might cause door jams.
 - For occasional maintenance, please wipe with a soft, dry cloth. (Excessive cleaning may cause surface scratches) Please use a damp cloth or mild detergent (5-10% dilution) if necessary, and finish off with a soft, dry cloth.
- Please avoid use of Gasoline (benzin), thinner, alcohol, toilet detergent, mildew removers, chlorine and acidic or alkali-based detergent and cleansers to clean the products, which may result in damage to product surface.

⚠ For your safety

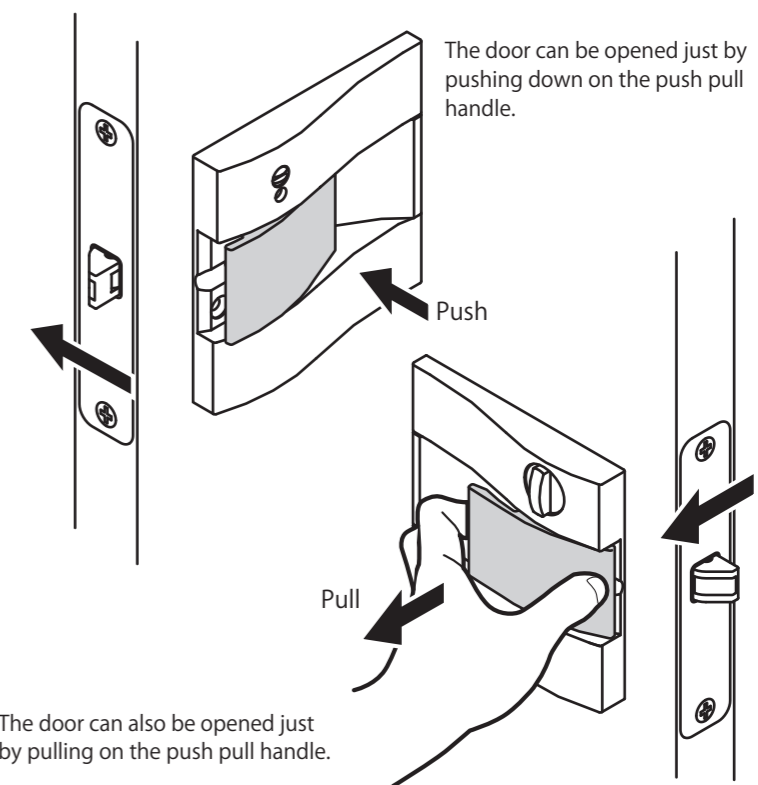
- Please install products according to the instructions provided. Once installed, please check that product works properly. Improper installation may result in injuries due to unstable operation or failure of product.
- Installer must provide product users with the relevant instruction manual once the product is installed.
- Please do not use product for unintended purpose or application. Product failure may result in injuries.
- All products are not intended for outdoor use or in areas where products may be subjected to water splash or high humidity. Corrosion of parts have a high possibility of breakage and may lead to injuries.

Position of Indicator • Thumbturn



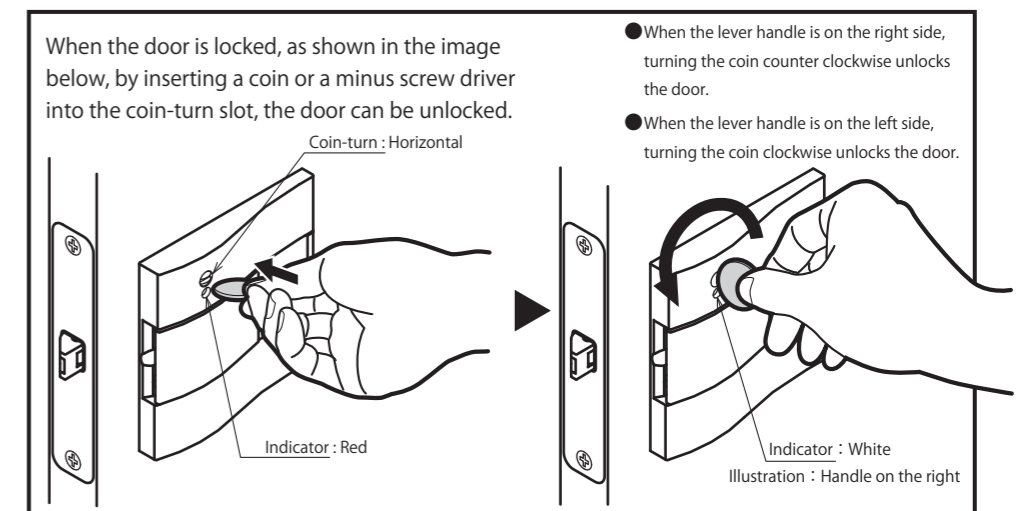
● Advantage of the Push Pull Handle

Based on the opening direction of the door, the door can be opened and closed with just one action with the push pull handle.



Opening of lock in events of emergency

*For cases where door is locked from inside.



05-0304 © 3