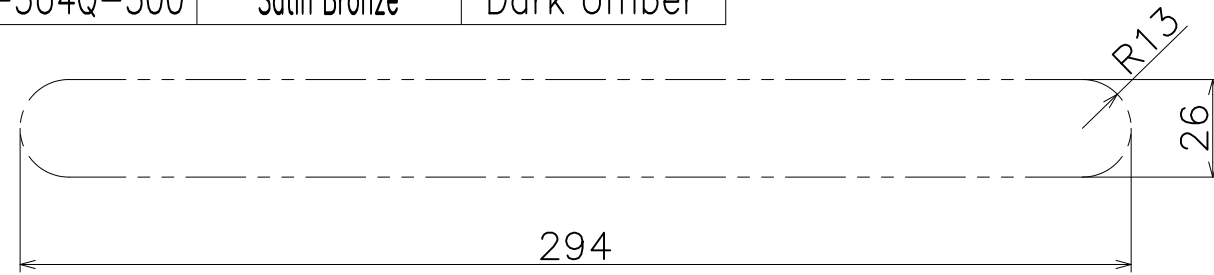


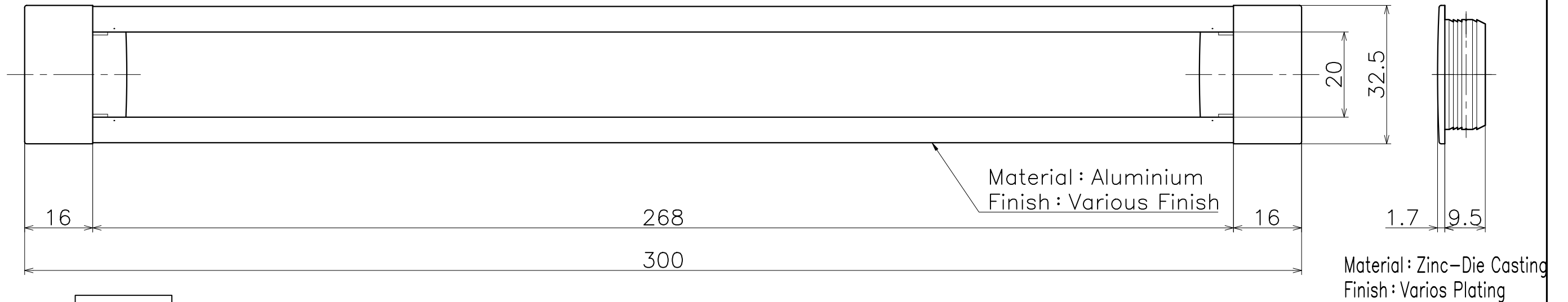
PA-25-XX-300

Code	Rail Finish	Cap Finish
PA-25-ZN-300	Stain Colour Hairline	Satin Nickel
PA-25-4Q4Q-300	Dark Bronze	Dark Umber
PA-25-KGQ-300	Blasted Black	Pearl Black
PA-25-LQLQ-300	Shot Champagne Gold	Shot Champagne Gold
PA-25-3U4Q-300	Satin Bronze	Dark Umber

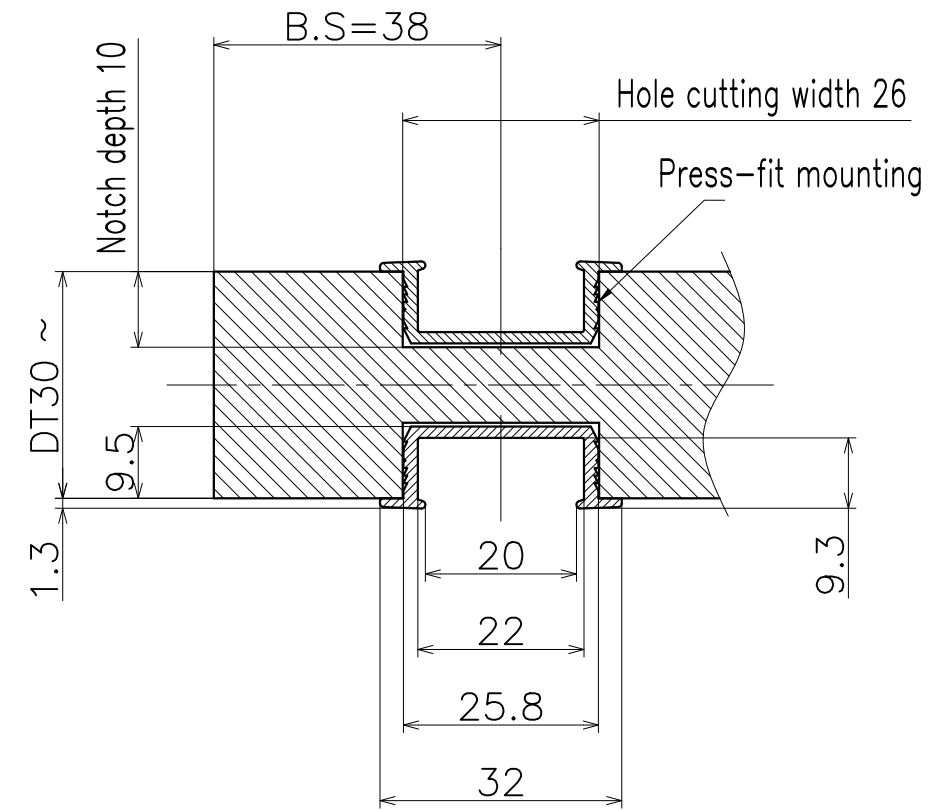
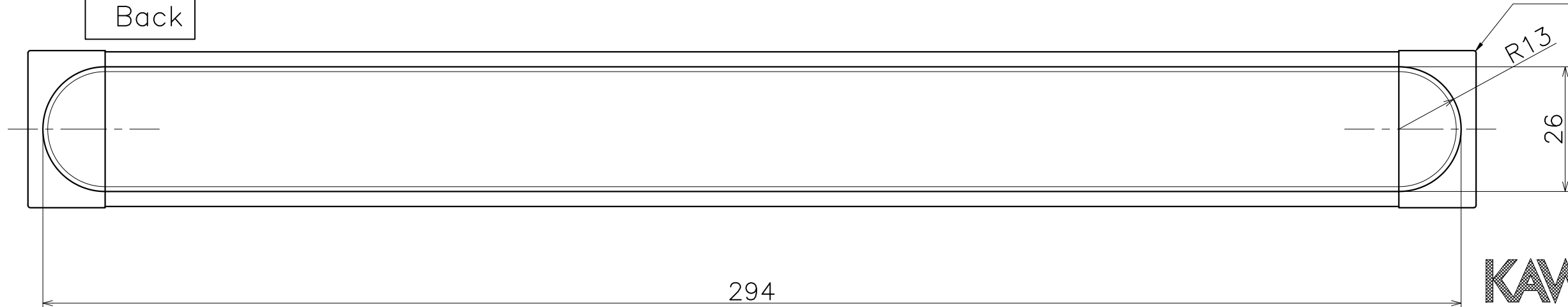


Cut-out drawing(S=1:2)

External effective surface



Back



KAWAJUN

河渾株式会社

2022/02/17