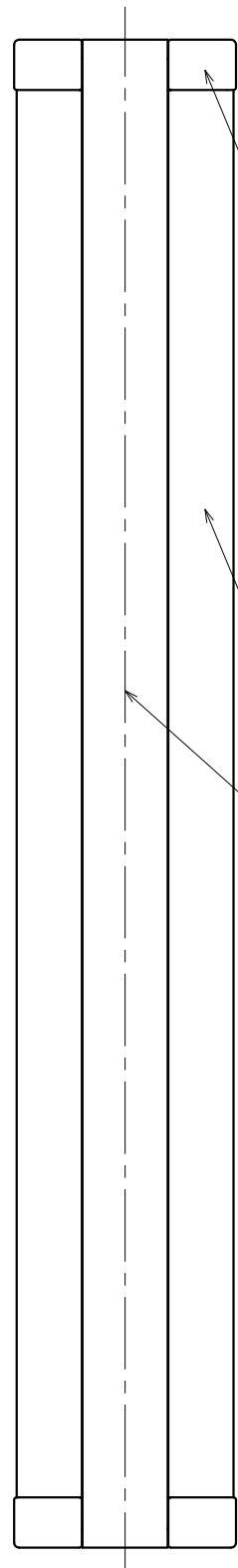
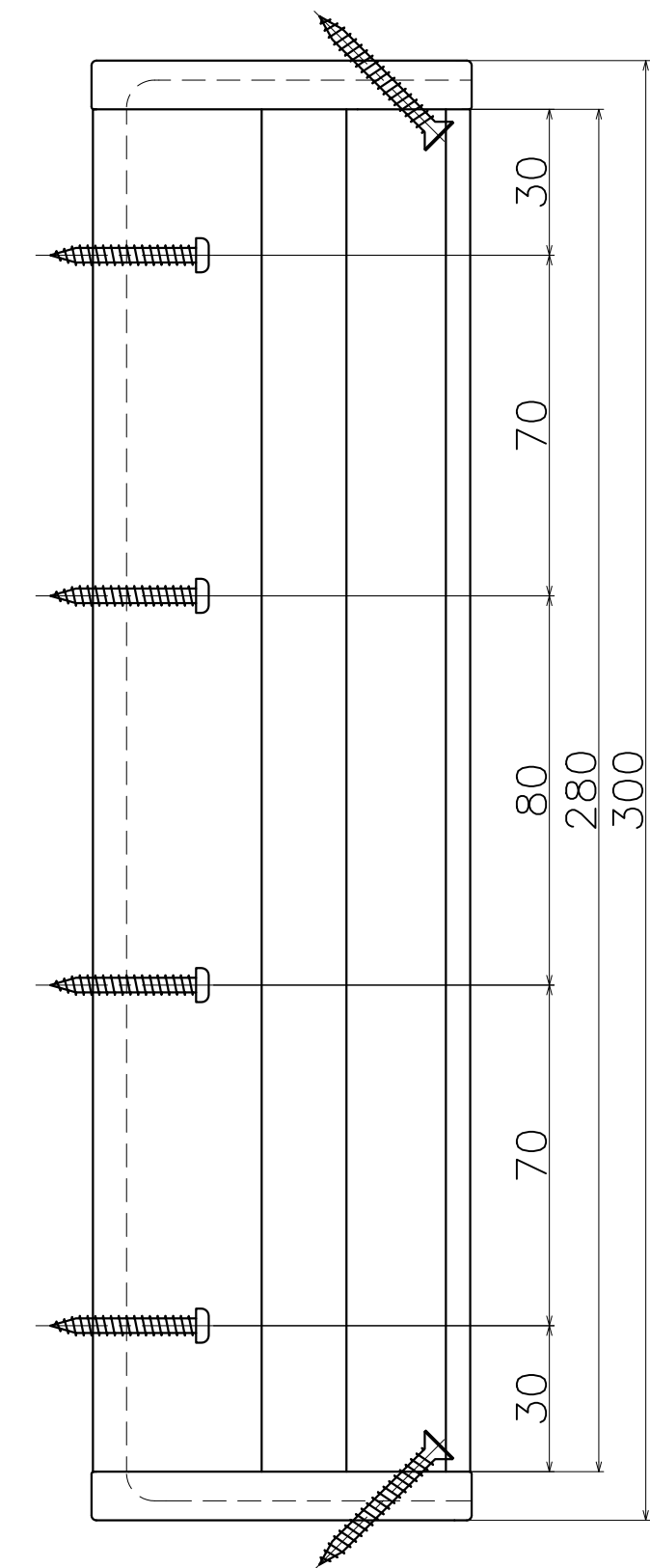


Ver	Date	Engineering change notice	Dwg	App
1	0000/00/00	新規出図	KAWAJUN	KAWAJUN



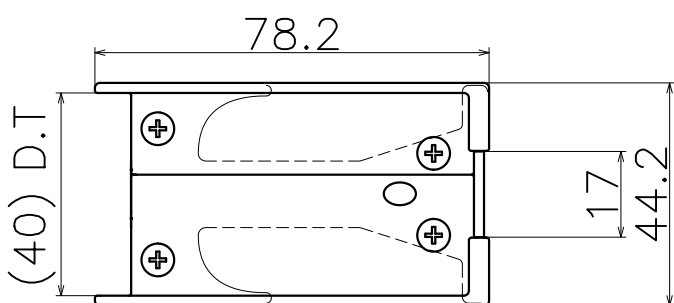
Material : Zinc Die Casting  
Finish : Various Plating

Material : Aluminium  
Finish : Various Anodization

Material : ABS

# PA-69-XX-300

Finish : Cap	Finish : Body	Code
Satin Nickel	Satin Color Hairline	PA-69-ZN-300
Pearl Black	Blasted Black	PA-69-KGQ-300
Dark Umber	Dark Umber	PA-69-4Q4Q-300
Shot Champagne Gold	Shot Champagne Gold	PA-69-LQLQ-300
Dark Umber	Satin Bronze	PA-69-3U4Q-300



Product name	Name	Code
掘込引手 PA-69 L300	-	表参照
Recessed Handle PA-69 L300	-	Ver03
<b>KAWAJUN</b> 河渾株式会社	Dim	Geo
	s= 1:1	外形図