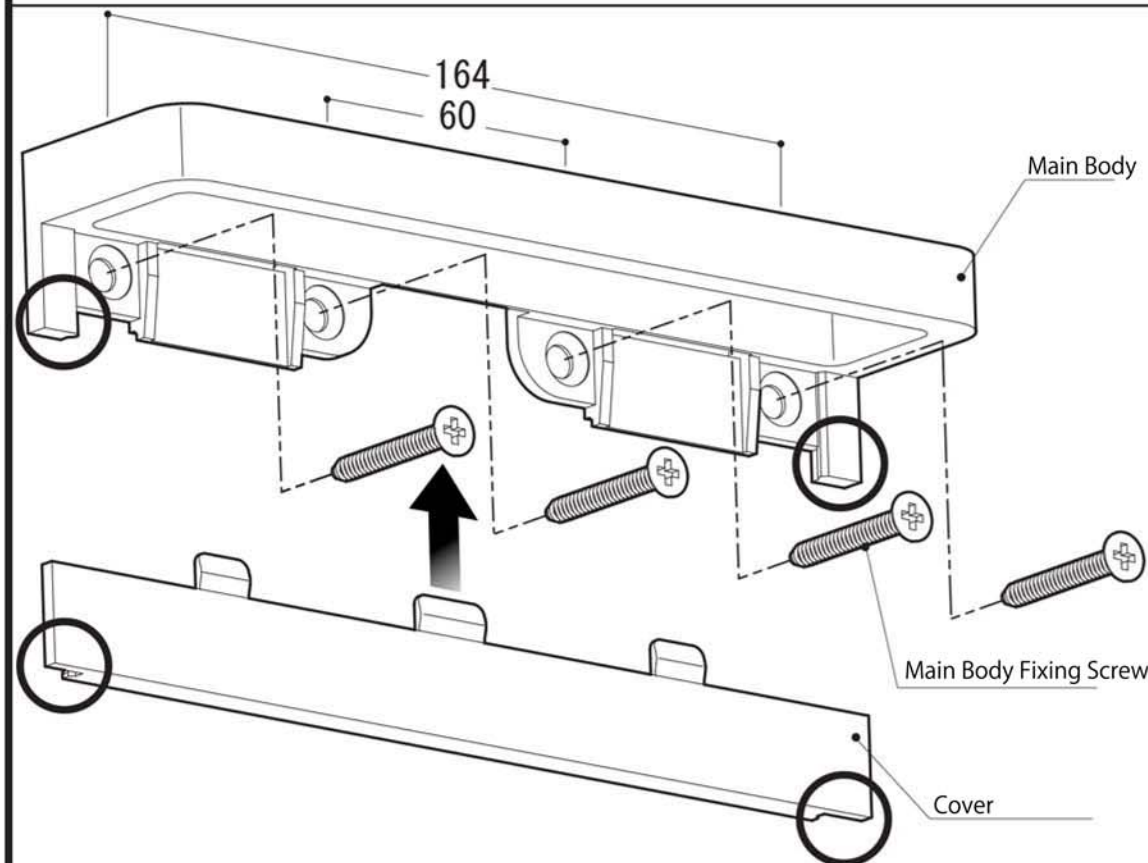


Towel Ring Installation Instruction Sheet

SC-090

* Please be sure to read before installing product.

* Do not dispose the installation sheet after installation, instead please pass it to the product user.



◎ Installation Procedure

1. Install Main Body to wall using the provided Main Body Fixing Screws.
 - * Ensure Main Body is not slanted.
 - * There needs to be a clearance of at least 20mm below Main Body.
2. Fix Cover to Main Body by sliding it all the way up from the bottom.
 - * Ensure the bottom of Cover is not sticking out.
 - * Ensure both bottom ends are securely fixed. Cover may drop if it is loose.

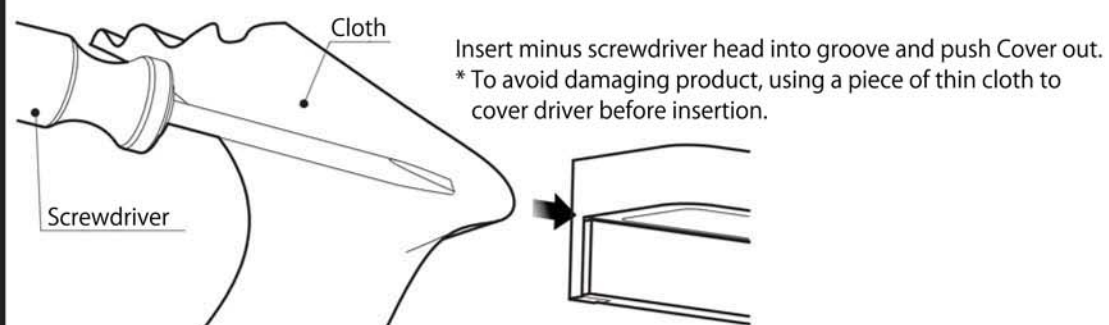
⚠ Caution: About installation

- * If product is to be installed on boards, please ensure it is at least 12mm thick.
- ** Do not install on non-reinforced walls.
- * Do not install product on ALC or in spaces between concrete blocks.
- * After installation, please check to ensure product has been installed properly. If product has not been installed properly, it may wobble and drop off.
- * Avoid direct contact with water. Do not install product in areas with very high temperature. It may damage the product and cause it to drop off.

⚠ Caution: About product usage

- * The load capacity is 10kgf. Do not load heavier than the stated load capacity. Product failure may result in injury.
- * Do not use product for unintended purpose or application. Product failure may result in injury.
- * Do not use gasoline (Benzene), thinner, alcohol, acidic/alkalin based detergent and/or cleanser to clean the product.

◎ Removal of Cover



Insert minus screwdriver head into groove and push Cover out.
* To avoid damaging product, using a piece of thin cloth to cover driver before insertion.

KAWAJUN
www.kawajun.co.jp
NO. 003