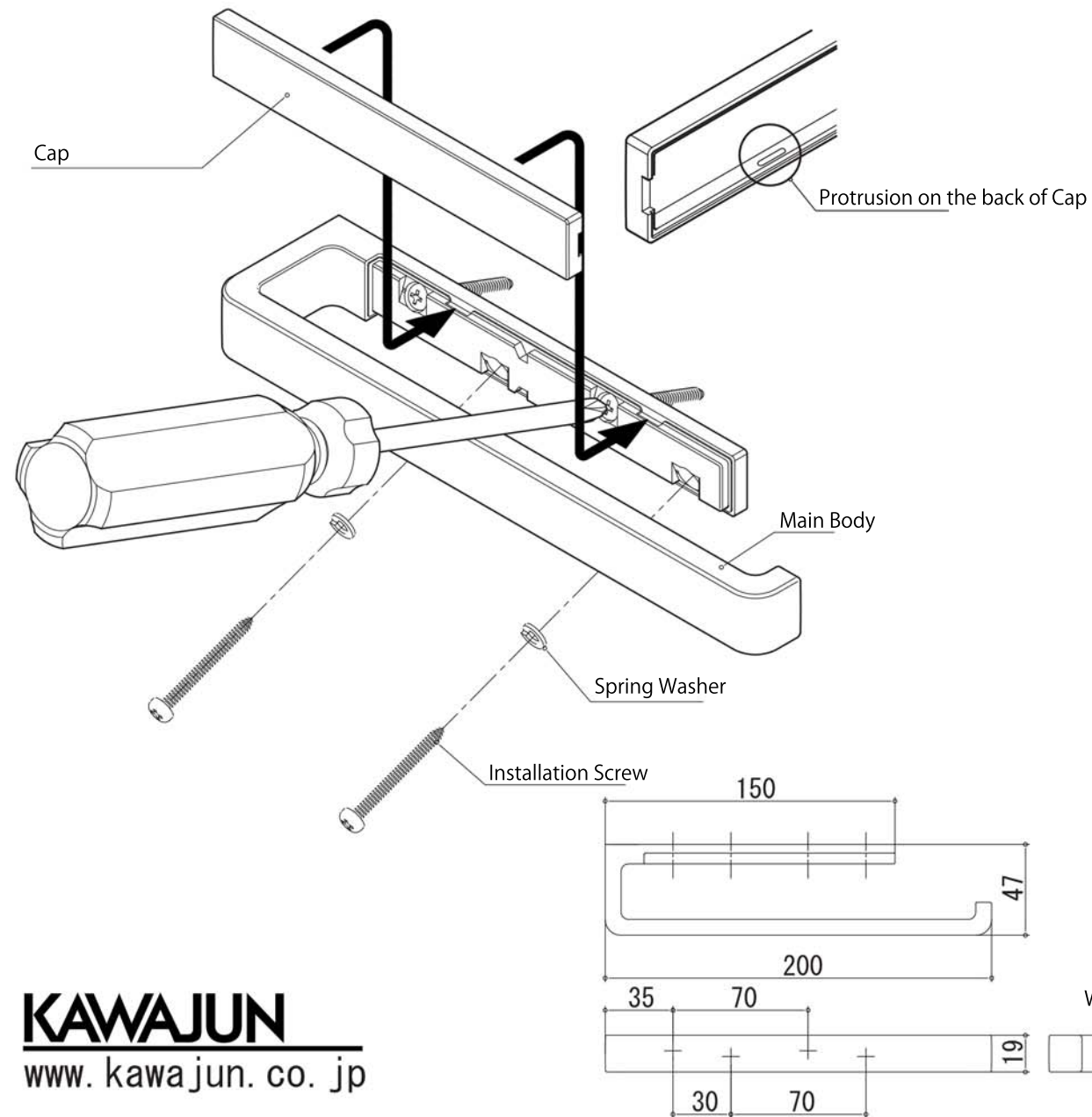


Towel Ring Installation Instruction Sheet

SC-099

* Please be sure to read before installing product.

* Do not dispose the installation sheet after installation, instead please pass it to the product user.



KAWAJUN
www.kawajun.co.jp

⊙ Installation Procedure

1. Install Main Body to wall using the provided Spring Washers and Installation Screws.

* Installation Screws are drilled into wall at an angle to avoid damaging Arm.

2. Clasp Cap onto the back of Main Body until a click sound is heard.

⚠ Caution: About installation

* If product is to be installed on boards, please ensure it is at least 9mm thick.

** Do not install on non-reinforced walls.

* Do not install product on ALC or in spaces between concrete block.

* After installation, please check to ensure product has been installed properly. If product has not been installed properly, it may wobble and drop off.

* Avoid direct contact with water. Do not install product in areas with very high temperature. It may damage the product and cause it to drop off.

⚠ Caution: About product usage

* The load capacity for this product is 5kgf. Do not load heavier than the stated load capacity. Product failure may result in injury.

* Do not use product for unintended purpose or application. Product failure may result in injury.

* Do not use gasoline (Benzene), thinner, alcohol, acidic/alkaline based detergent and/or cleanser to clean the product.

NO. 001