

# Paper Holder Installation Instruction Sheet

## SC-09M

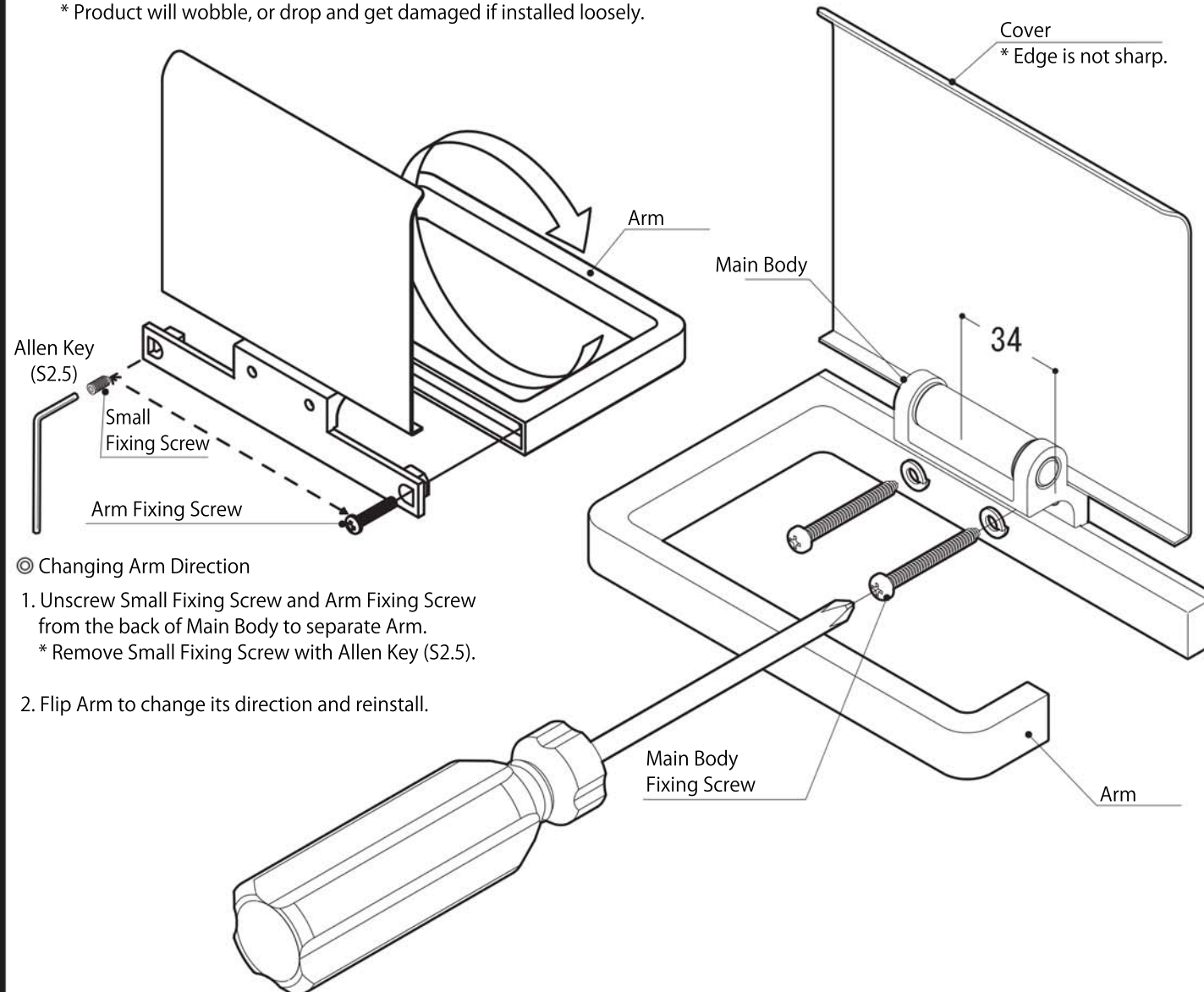
\* Please be sure to read before installing product.

\* Do not dispose the installation sheet after installation, instead please pass it to the product user.

### ◎ Installation Procedure

1. Install Main Body to wall using the provided Spring Washers and Main Body Fixing Screws.

\* Product will wobble, or drop and get damaged if installed loosely.



### ◎ Changing Arm Direction

1. Unscrew Small Fixing Screw and Arm Fixing Screw from the back of Main Body to separate Arm.

\* Remove Small Fixing Screw with Allen Key (S2.5).

2. Flip Arm to change its direction and reinstall.

### ⚠ Caution: About installation

\* If product is to be installed on boards, please ensure it is at least 9mm thick.

\*\* Do not install product onto non-reinforced walls.

\* Do not install product on ALC or in spaces between concrete blocks.

\* After installation, please check to ensure product has been installed properly. If product has not been installed properly, it may wobble and drop off.

\* Avoid direct contact with water. Do not install product in areas with very high temperature. It may damage the product and cause it to drop off.

### ⚠ Caution: About product usage

\* The load capacity for this product is 5kgf. Do not load heavier than the stated load capacity. Product failure may result in injury.

\* Do not use product for unintended purpose or application. Product failure may result in injury.

\* Do not use gasoline (Benzene), thinner, alcohol, acidic/alkaline based detergent and/or cleanser to clean the product.

\* As the edges of the Cover is rounded, user(s) is advised to hold down the toilet paper and tear it away.

**KAWAJUN**  
www.kawajun.co.jp  
NO. 003