

Paper Holder Installation Instruction Sheet

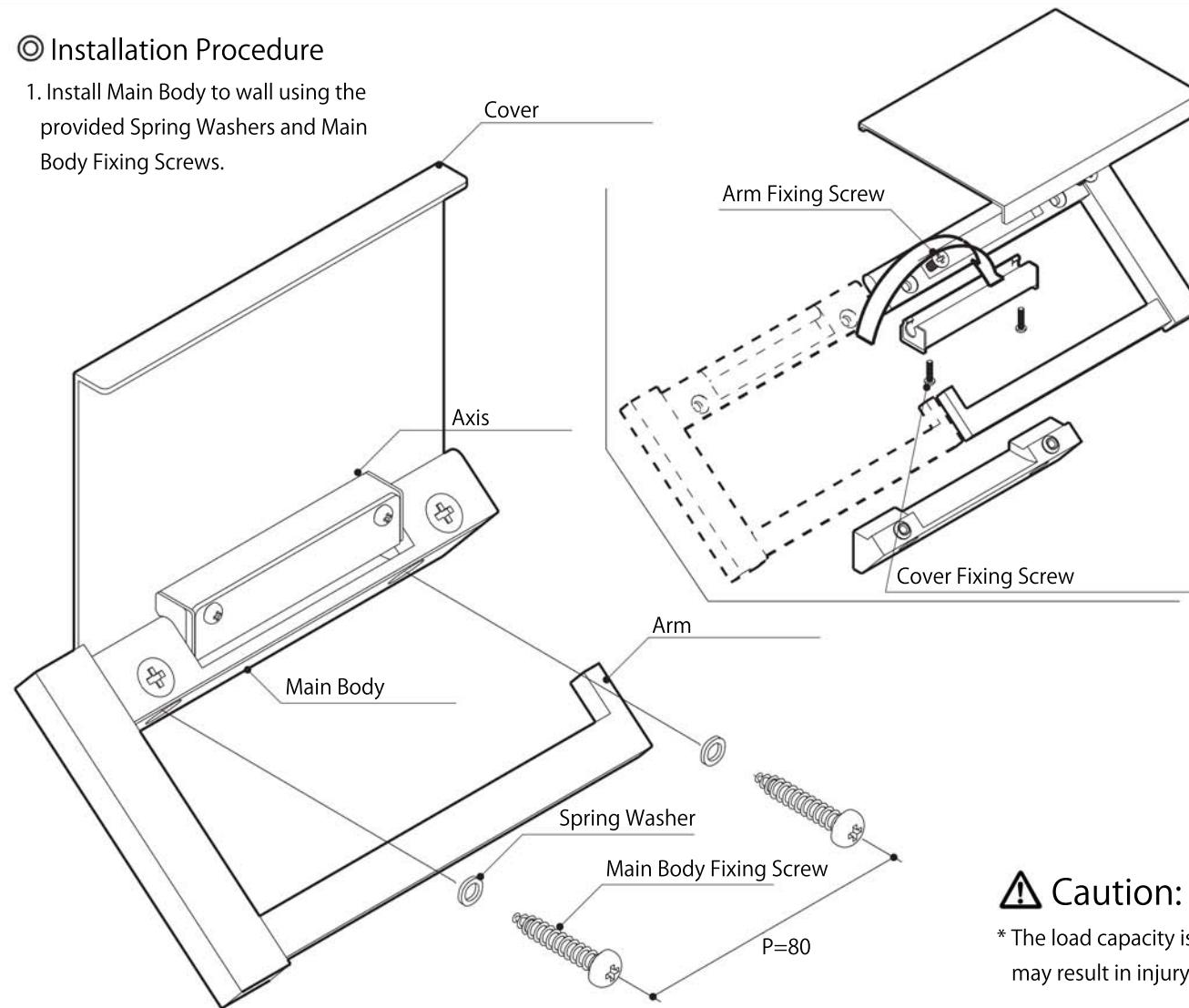
SC-313

* Please be sure to read before installing product.

* Do not dispose the installation sheet after installation, instead please pass it to the product user.

◎ Installation Procedure

1. Install Main Body to wall using the provided Spring Washers and Main Body Fixing Screws.



◎ Changing Arm Direction

1. Unscrew Arm Fixing Screw to separate Arm from Main Body.
2. Unscrew Cover Fixing Screw to separate Cover from Axis.
3. Separate Arm from Axis.
4. Flip Arm to change its direction.
5. Fix Cover to Axis with Cover Fixing Screw.
6. Fix Arm to Main Body with Arm Fixing Screw.

⚠ Caution: About installation

* If product is to be installed on boards, please ensure it is at least 9mm thick.

** Do not install on non-reinforced walls.

* Do not install product on ALC or in spaces between concrete blocks.

* After installation, please check to ensure product has been installed properly. If product has not been installed properly, it may wobble and drop off.

* Avoid direct contact with water. Do not install product in areas with very high temperature.

⚠ Caution: About product usage

* The load capacity is 5kgf. Do not load heavier than the stated load capacity. Product failure may result in injury.

* Do not use product for unintended purpose or application. Product failure may result in injury.

* Do not use gasoline (Benzene), thinner, alcohol, acidic/alkalin based detergent and/or cleanser to clean the product.

KAWAJUN
www.kawajun.co.jp

NO. 001