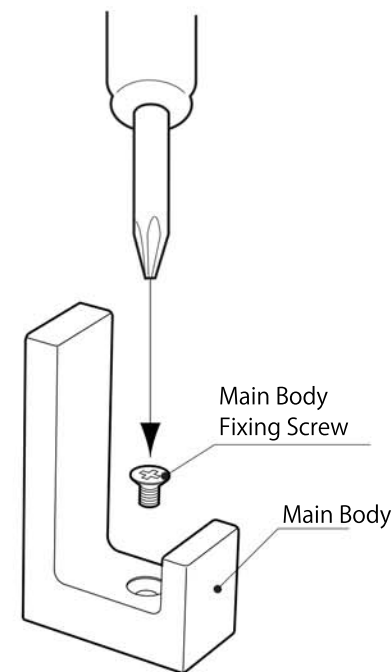
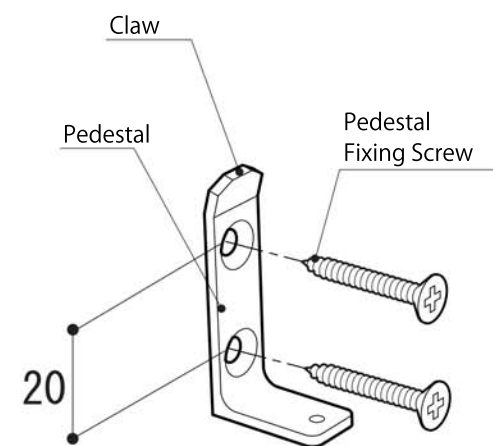
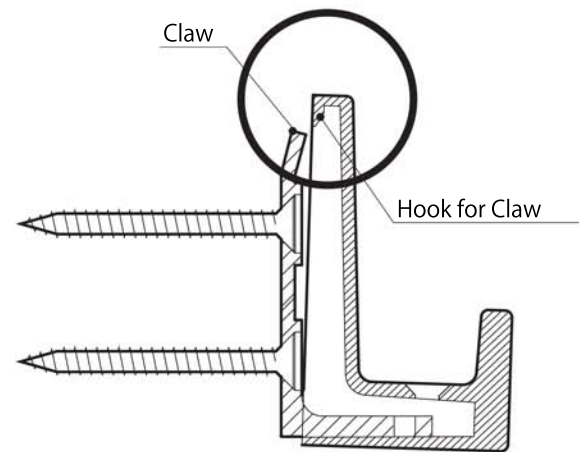


# Hook Installation Instruction Sheet

## SC-355

\* Please be sure to read before installing product.

\* Do not dispose the installation sheet after installation, instead please pass it to the product user.



### ◎ Installation Procedure

1. Install Pedestal to wall using the provided Pedestal Fixing Screws.
2. Hook Main Body onto Claw and slide the bottom in.  
\* There will be a clearance between wall and Main Body if Main Body is not properly hooked.
3. Secure Main Body to Pedestal with Main Body Fixing Screw.

### ⚠ Caution: About installation

- \* If product is to be installed on boards, please ensure it is at least 9mm thick.
- \*\* Do not install on non-reinforced walls.
- \* After installation, please check to ensure product has been installed properly. If product has not been installed properly, it may wobble and drop off.
- \* Avoid direct contact with water. Do not install product in areas with very high temperature.

### ⚠ Caution: About product usage

- \* The load capacity is 10kgf. Do not load heavier than the stated load capacity. Product failure may result in injury.
- \* Do not use product for unintended purpose or application. Product failure may result in injury.
- \* Do not use gasoline (Benzene), thinner, alcohol, acidic/alkalin based detergent and/or cleanser to clean the product.