

# Paper Holder Installation Instruction Sheet

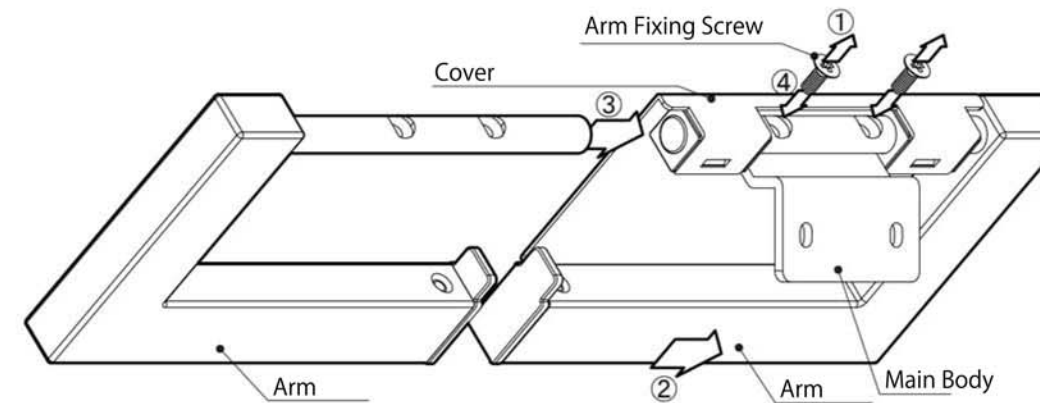
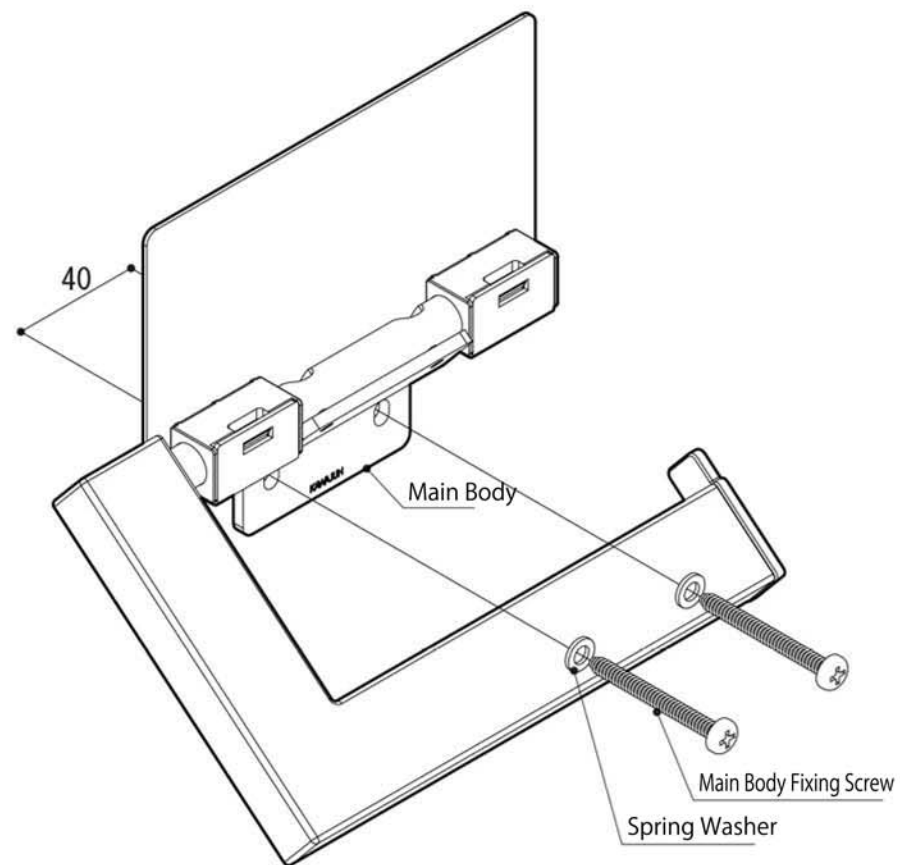
## SC-463

\* Please be sure to read before installing product.

\* Do not dispose the installation sheet after installation, instead please pass it to the product user.

### ◎ Installation Procedure

1. Install Pedestal to wall using the provided Spring Washers, and Main Body Fixing Screws.



### ◎ Changing Arm Direction

1. Unscrew Arm Fixing Screw.
2. Separate Arm from Cover and Main Body.
3. Flip Arm to change its direction and reinstall it.  
\* Change direction of arm before installation to wall.

### ⚠ Caution: About installation

- \* If product is to be installed on boards, please ensure it is at least 9mm thick.
- \*\* Do not install on non-reinforced walls.
- \* Do not install product on ALC or in spaces between concrete blocks.
- \* After installation, please check to ensure product has been installed properly. If product has not been installed properly, it may wobble and drop off.
- \* Avoid direct contact with water. Do not install product in areas with very high temperature.

### ⚠ Caution: About product usage

- \* The load capacity is 5kgf. Do not load heavier than the stated load capacity. Product failure may result in injury.
- \* Do not use product for unintended purpose or application. Product failure may result in injury.
- \* Do not use gasoline (Benzene), thinner, alcohol, acidic/alkaline based detergent and/or cleanser to clean the product.