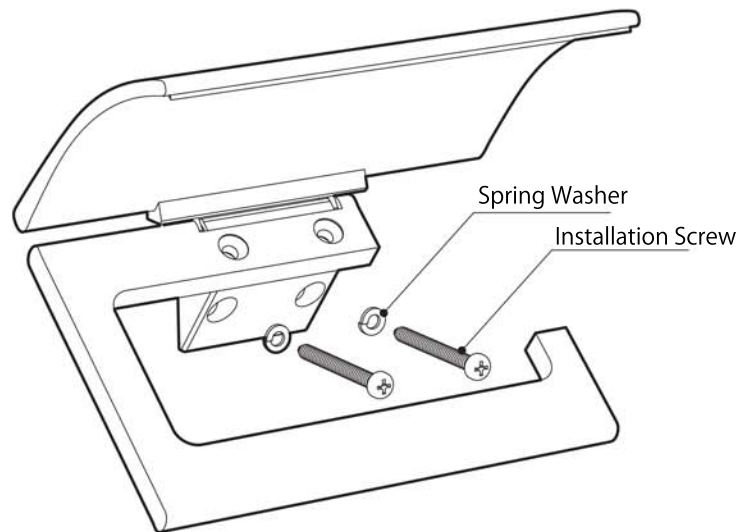


## Paper Holder Installation Instruction Sheet

# SC-473

\* Please be sure to read before installing product.

\* Do not dispose the installation sheet after installation, instead please pass it to the product user.

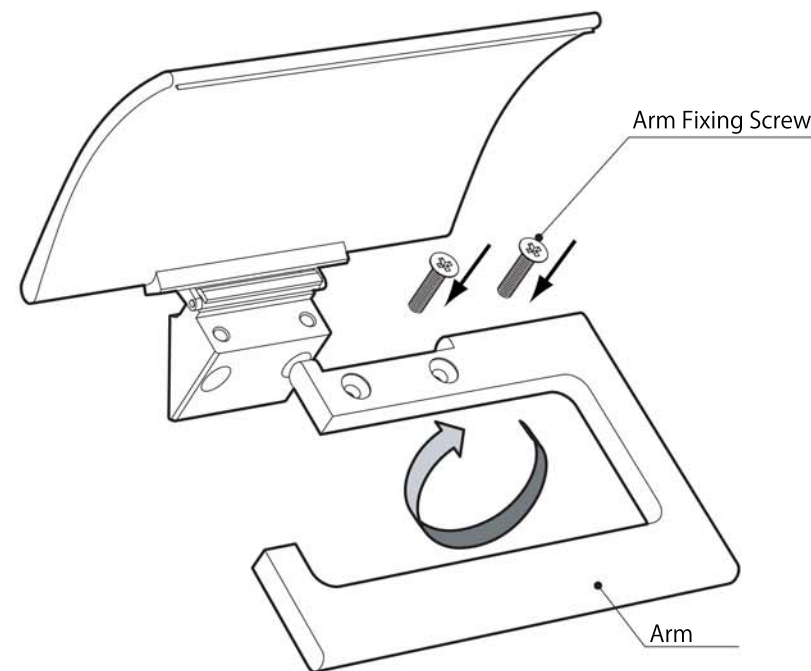


### ⦿ Installation Procedure

1. Install Main Body to wall using the provided Spring Washers and Installation Screws.

### ⚠ Caution: About installation

- \* If product is to be installed on boards, please ensure it is at least 9mm thick.
- \*\* Do not install on non-reinforced walls.
- \* Do not install product on ALC or in spaces between concrete blocks.
- \* After installation, please check to ensure product has been installed properly. If product has not been installed properly, it may wobble and drop off.



### ⚠ Caution: About product usage

- \* The load capacity is 5kgf. Do not load heavier than the stated load capacity. Product failure may result in injury.
- \* Do not use product for unintended purpose or application. Product failure may result in injury.
- \* Do not use gasoline (Benzene), thinner, alcohol, acidic/alkaline based detergent and/or cleanser to clean the product.

### ⦿ Changing Arm Direction

1. Unscrew Arm Fixing Screw to separate Arm.
2. Flip Arm to change its direction and reinstall.

**KAWAJUN**  
www.kawajun.co.jp  
NO. 001