

# SC-47W(Double Paper Holder)

※Please read this section before installation. This manual must be handed over to the user after installation and should not be discarded.  
 ※Pass attached installation tool (if any) to user along with the manual.

## Safety Precautions (Must be observed)

Please read this "Safety Precautions" section carefully before installing the unit and ensure that it is installed correctly.

■In the event of improper installation, the possible situations that may occur to user are stated below.

<b>警告</b> This tag indicates actions that may lead to risks of serious injuries and/or death.	<b>注意</b> This tag indicates actions that may lead to injuries and /or product damage.
---	--

■This tag indicates actions that may lead to injuries and /or product damage.

<b>⊘</b> This tag indicates actions that should be avoided.	<b>!</b> Please carry out all actions labeled with this tag.
---	--

### 警告 Warning for installation

- ⊘ Please do not install products on non-reinforced walls. Risk of product dropping may occur, resulting in injuries.
  - ※Before completion of the wall, reinforce it with a material (plywood, etc.) that is 9mm or thicker for the installation screws.
  - ※For installation on light gauge steel, please reinforce metal with plywood as the strength of the metal might be insufficient.
  - ※Installation of product cannot be made directly on ALC materials, light gauge steel and hollow spaces of concrete blocks.
- ⊘ This product is not waterproof. Do not install this product outdoors, in the shower, or any other place where it will be exposed to water or excessive moisture. The product may fall and cause injury due to the corrosion of parts.
- ! After installation, please check the product once more to ensure that it has been installed firmly.
  - If the product is not firmly installed, the product might wobble and there might be risks of product falling, resulting in injuries.

### 警告 Warning for Use

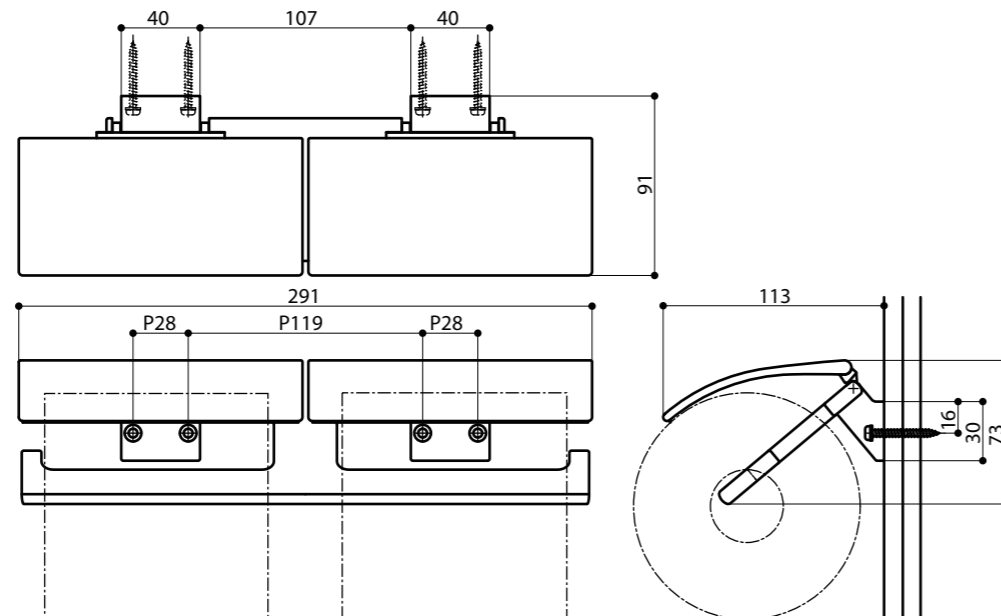
- ⊘ Please do not use product for any unintended purposes or applications. Doing so may cause product failure and result in injuries.
- ⊘ Loads heavier than the stated load capacity may result in product failure and possible risks of injuries.
- ⊘ Please do not subject the product to excessive forces or strong impacts. Product failure may occur, leading to risks of injuries.

### 注意 Instructions for Use

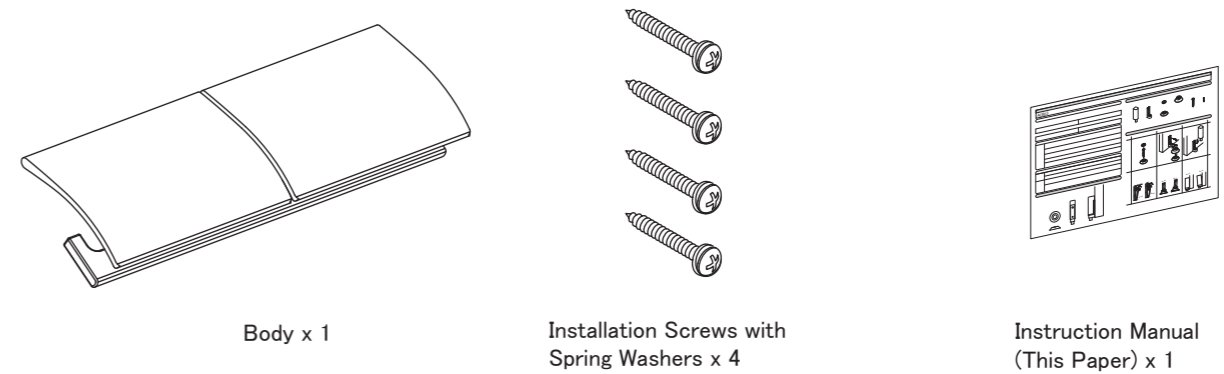
- ⊘ Wipe away cosmetic and/or chemical product stains immediately when found. Long term stains will result in corrosion, discoloration, and/or deterioration which may lead to product failure and result in injuries.
- ⊘ To clean, wipe gently with a soft, dry cloth. For stubborn stains, wipe with a soft cloth dipped in a mild neutral detergent (5-10%) diluted in water and wipe off with a fresh soft, dry cloth.
  - Do no use gasoline (Benzine), paint thinner, alcohol, toilet detergents, fungicides, chlorine detergents, acid or alkaline detergents or cleansers.

## Product Specification

Type	Paper Holder
Code	SC-47W
Material	Aluminum
Dimensions	291 x 73 x 113 mm
Load Capacity	49N (5kgf)



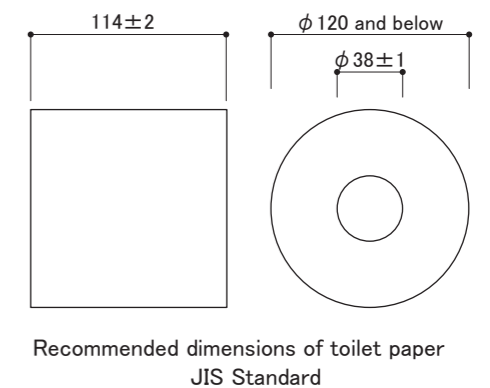
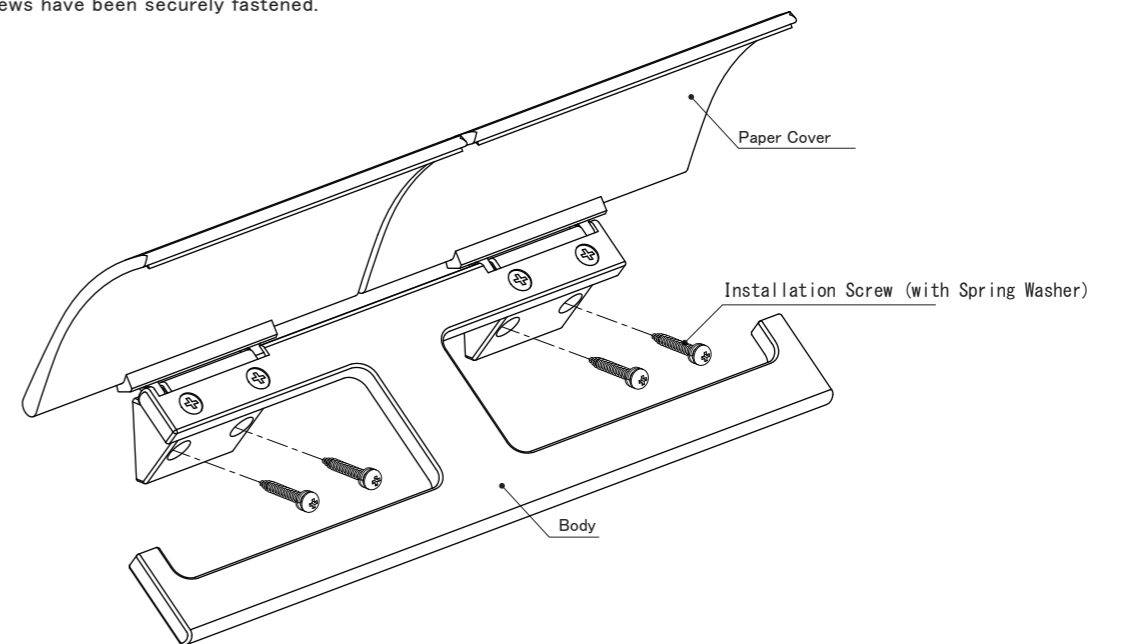
## Package Contents



## Installation Procedure

### ◎Installation Procedure

- ① Determine the mounting position and attach the body with the installation screws provided.
  - ※Tighten the 2 screws on the far end of each side, while ensuring the body is level.
  - After levelling the body, fasten the 2 screws on the inner side of the body.
- ② After installing, please ensure there is no movement from the cover and body, and ensure that the screws have been securely fastened.



Recommended dimensions of toilet paper  
JIS Standard