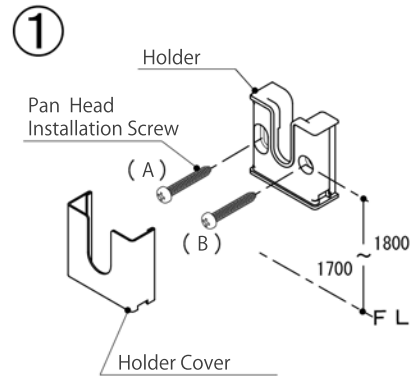
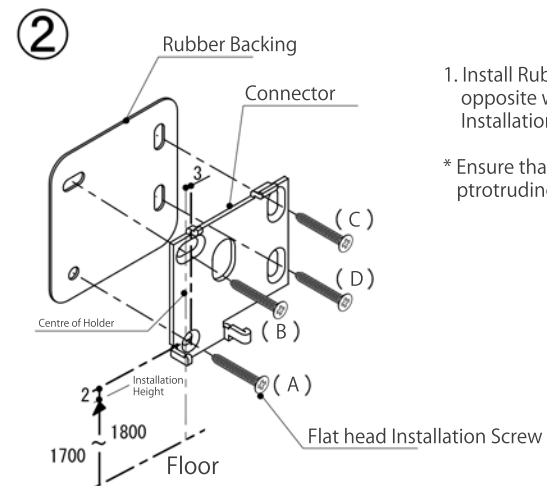


* Please be sure to read before installing product.
 * Do not dispose installation sheet, instead, please pass it to product user.

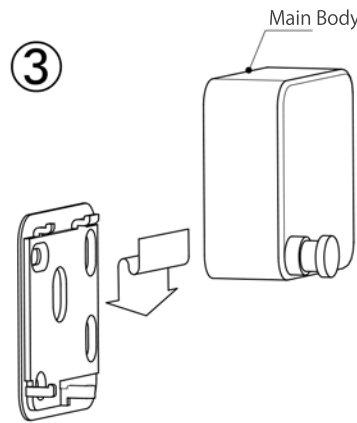
◎ Installation Procedure



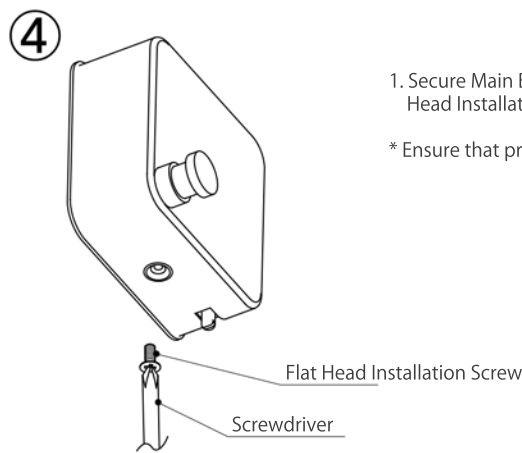
1. Install Holder to wall using the provided Pan Head Installation Screws (A first, B second).
2. Clasp Holder Cover onto Holder.



1. Install Rubber Backing and Connector onto the opposite wall using the provided Flat Head Installation Screws (A first, B second, C third, D fourth).
- * Ensure that head of Installation Screws are not protruding from Connector.



1. Slide Main Body onto Connector from the top.

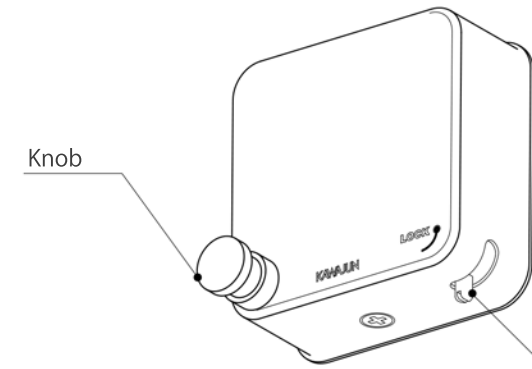


1. Secure Main Body to Connector with M3 Flat Head Installation Screw.
- * Ensure that product is securely installed.

◎ How To Use



Pull Knob out from Main Body and hook it into U-channel of Holder Cover.

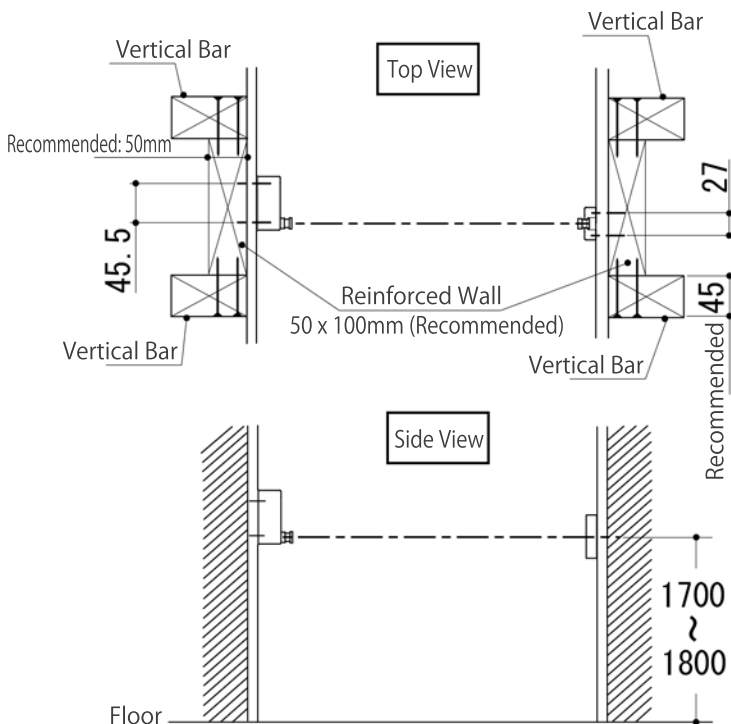


Engage Lock Switch when Laundry Rope is in use.

- * Rope will automatically retract when pulled out.
- * Rope will slack when in use for the first time.
- * Ensure that Lock Switch is engaged when in use. Mechanism will be damaged if Lock Switch is off when there is a load on it.

Flip Lock Switch upwards when in use.

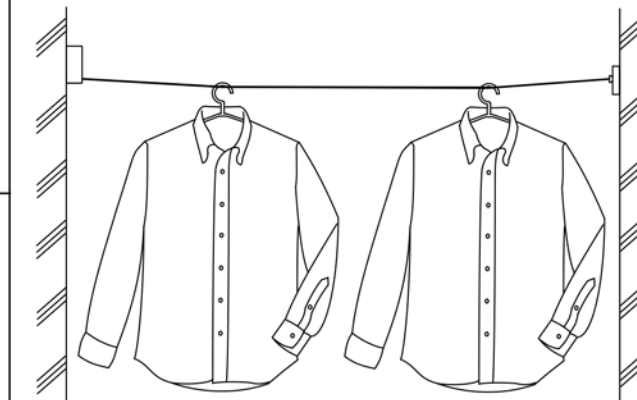
⚠ Caution: About installation



- * Ensure that product is securely installed on reinforced walls.
- * If installing on concrete walls, insert provided Anchor Plugs into holes (ø6 x 40).
- * Ensure that all installation screws do not protrude out.
- * Install product in a place where children are not able to reach.

⚠ Caution: About product usage

- * The load capacity for this product is 5kgf. Do not load heavier than the stated load capacity.
- * Ensure rope is locked in place when in usage.
- * Maximum length of rope is 2.7m.
- * Do not hang items other than clothing onto product.
- * Do not use gasoline (Benzene), thinner, alcohol, or acidic/alkaline based detergent to clean the product.
- * Ensure that children do not play with product as they may injure themselves.



Hang wet laundry to dry.

* Estimated weight of wet laundry (per piece)

- T-shirt: 250g
- Shirt: 250g
- Sweater: 900g
- Face towel: 150g
- Bath towel: 400g

◎ How To Retract

1. Ensure there is nothing hanging on rope.
2. Disengage Lock Switch.
3. Remove Knob and hold it gently as mechanism retracts it.