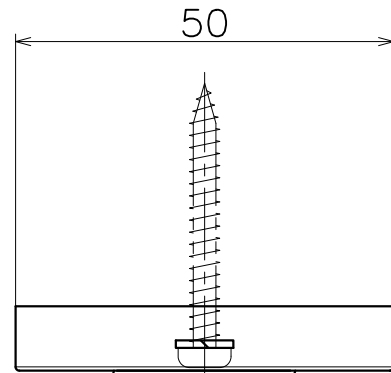


# SE-111-X

Finish	Code
Chrome	SE-111-XC
Lumi Gold	SE-111-P01
Lumi Rose Gold	SE-111-P02
Lumi Champagne	SE-111-P05
Lumi Black	SE-111-P07
Vertigo Black	SE-111-P09
Vertigo Champagne	SE-111-P10
Vertigo Rose Gold	SE-111-P11
Vertigo Gold	SE-111-P12



A

B

C

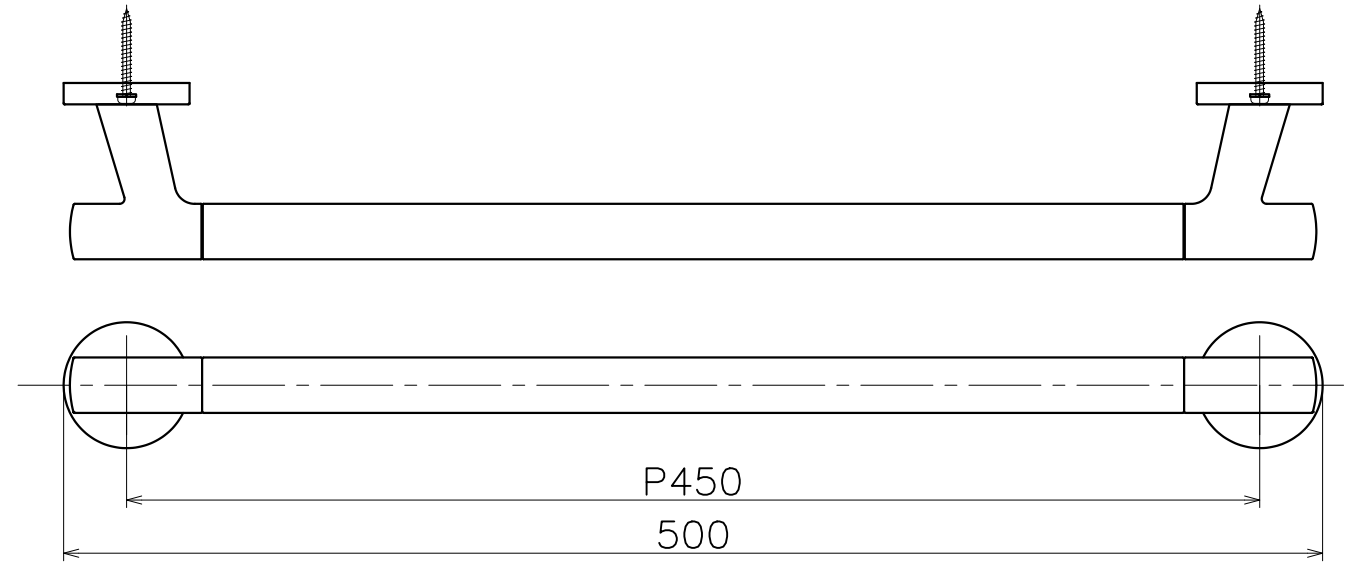
D

Material : Stainless Steel  
Finish : Various Finish

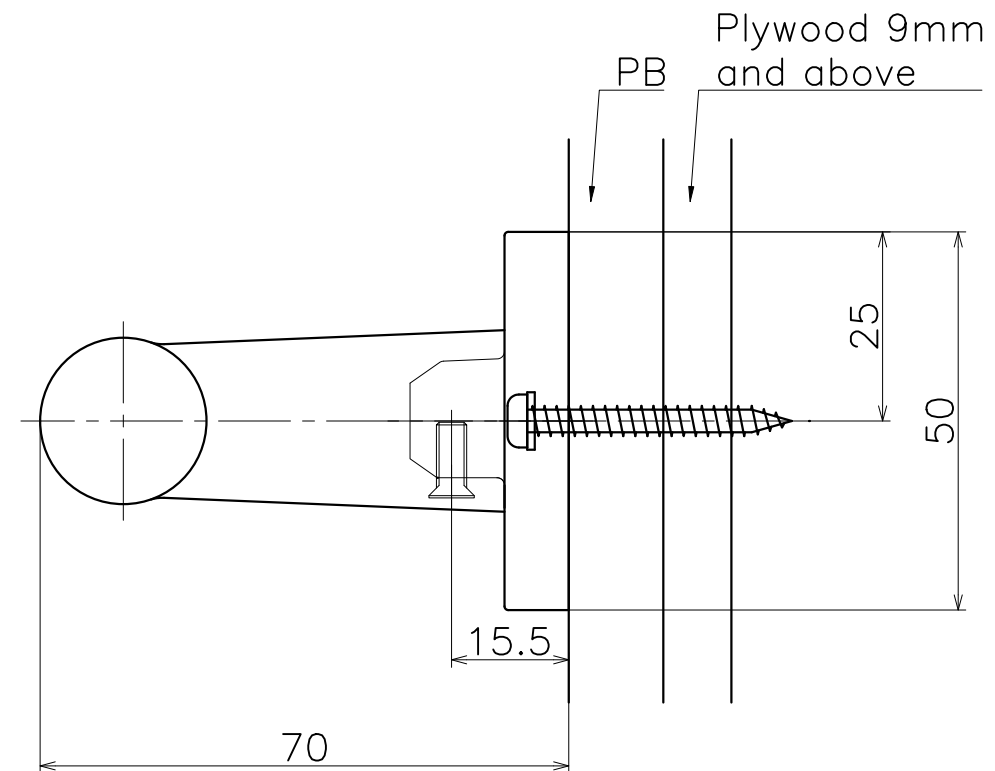
φ 22

Material : Zinc Die-cast  
Finish : Various Finish

Ver	Date	Engineering change notice	Dwg	App
1	0000/00/00	新規出図	KAWAJUN	KAWAJUN



(S=1:3)



Product name	Name	Code
タオルレール	-	表参照
Towel Rail	-	Ver01
<b>KAWAJUN</b> 河渚株式会社	Dim	Geo
	S= 1:1	外形図

A3