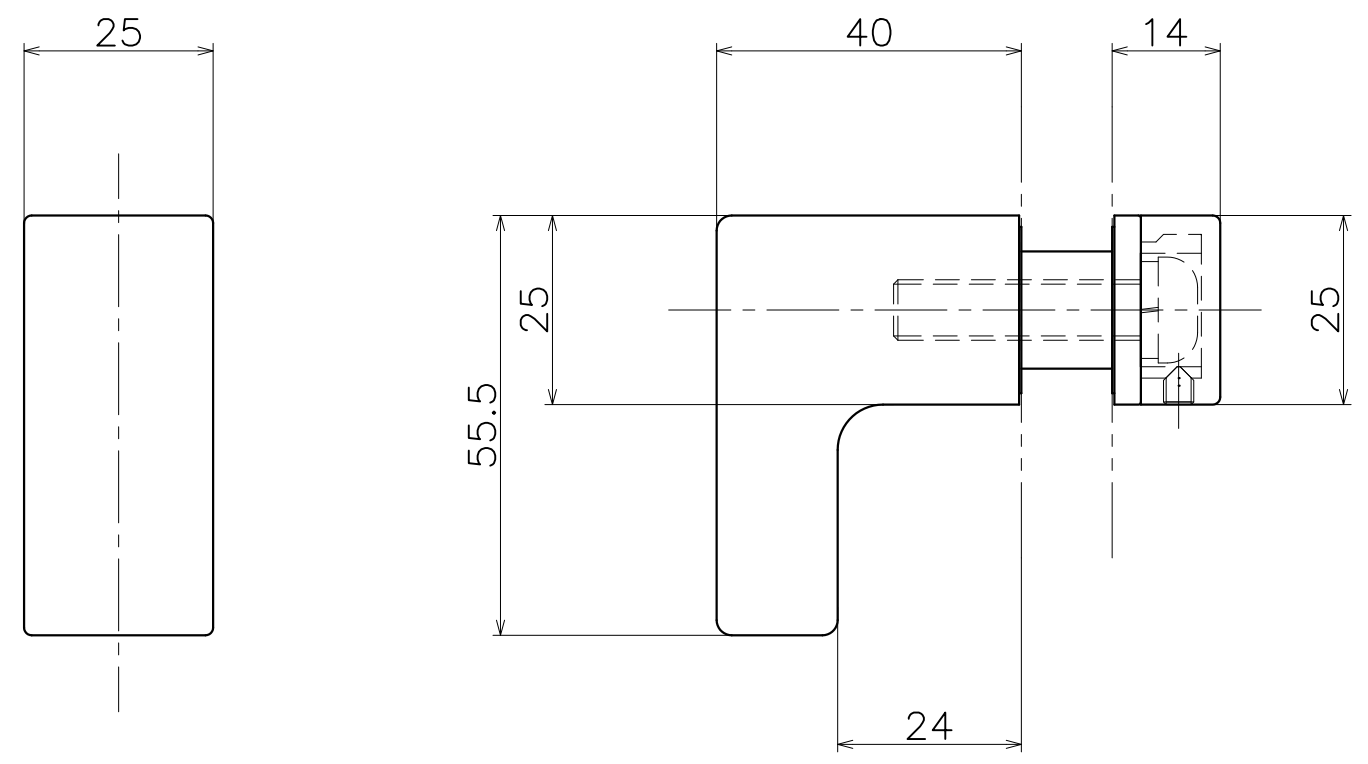
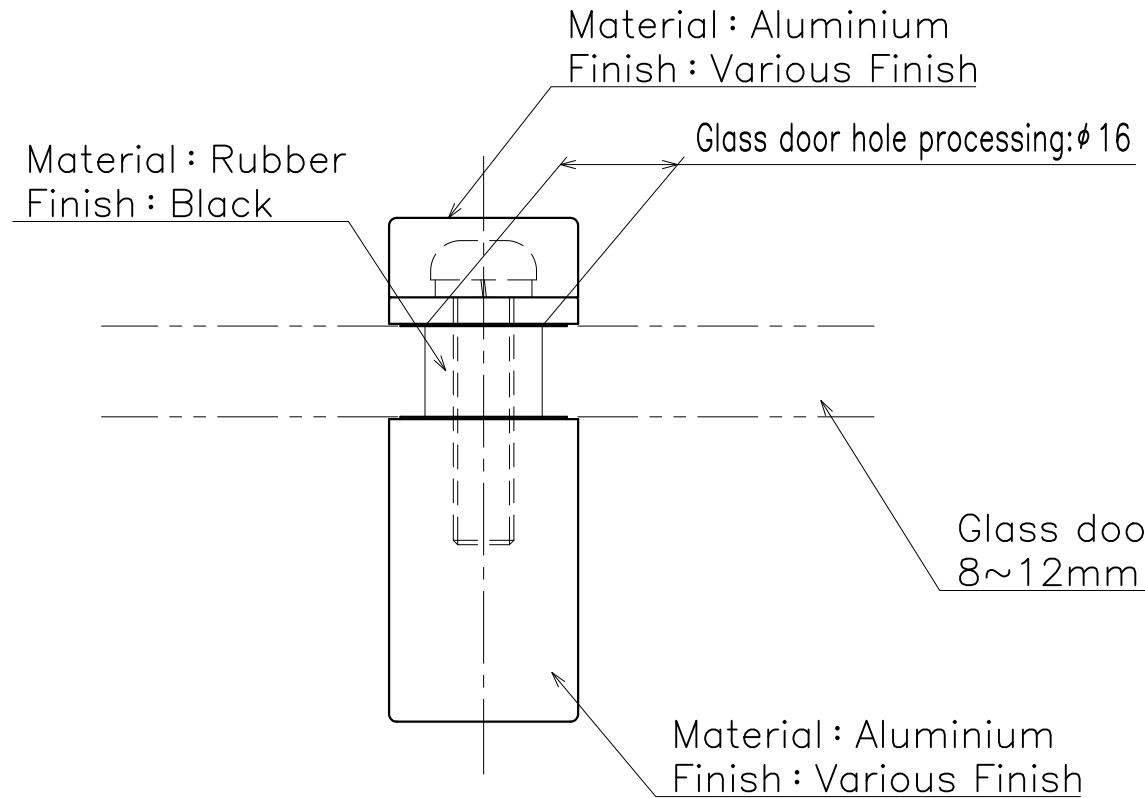


Ver	Date	Engineering change notice	Dwg	App
1	0000/00/00	新規出図	Y.Aizawa	Y.Aizawa

# SH-016-XX-6

Finish:Leg	Code
Blasted Black	SH-016-XK-6
Satin Bronze	SH-016-3U-6



Product name		Name		Code	
サニタリーハンドル		-		Refer the table	
Sanitary Handle		-		Ver01	
<b>KAWAJUN</b> 河渾株式会社		Dim	Geo	s= 1:1	外形図

2022-03-14 11:47:41 SH-016\_6\_drawing\_EN